

SC

HEAVY SERIES

MATERIALS

SC51 & SC61
Housing: Steel
Cover: Aluminium

Shut-off valve:
Polyamide

Seals:
NBR Nitrile
(FKM - on request fluoroelastomer)

Indicator housing:
Brass

PRESSURE (ISO 10771-1:2002)

Collapse, differential
for the filter element (ISO 2941):
100 kPa (1 bar)

WORKING TEMPERATURE

From -25° to + 110° C

COMPATIBILITY (ISO 2943:1999)

Full with fluids: HH-HL-HM-HV-HTG
(according to ISO 6743/4)
For fluids different than the above
mentioned, please contact our Sales
Department.

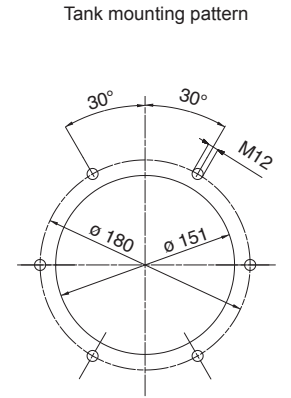
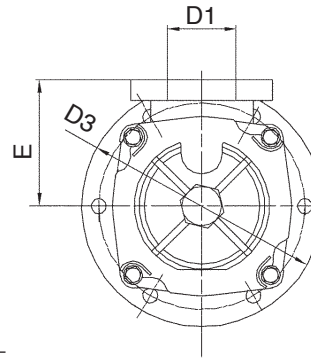
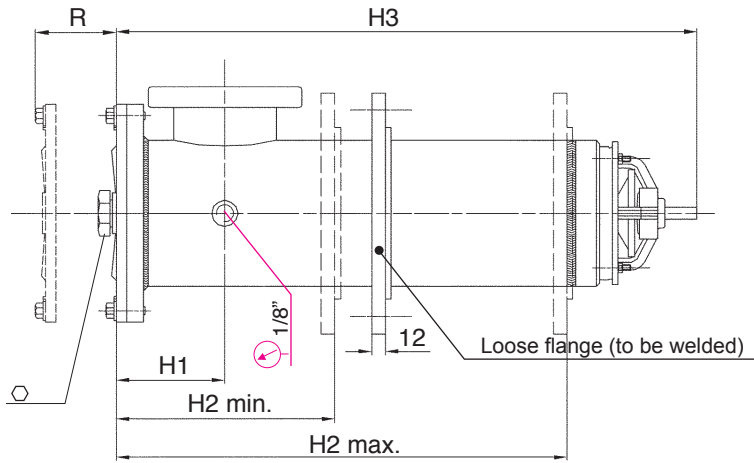
APPLICATION EXAMPLE



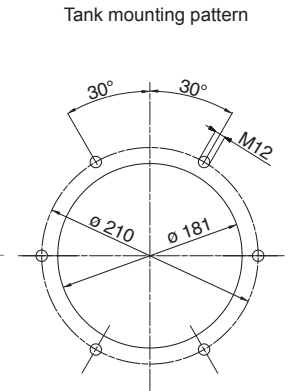
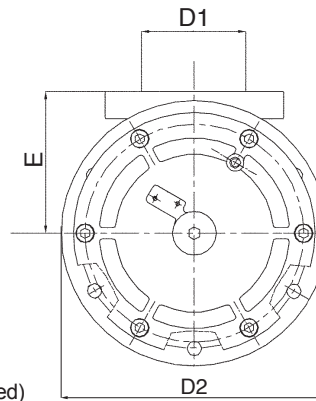
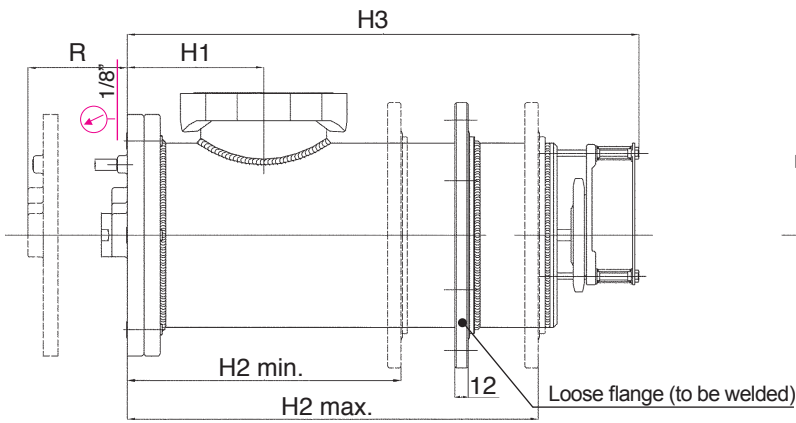
UFI
FILTERS
HYDRAULIC
DIVISION

HEAVY SERIES

FSC 51



FSC 61



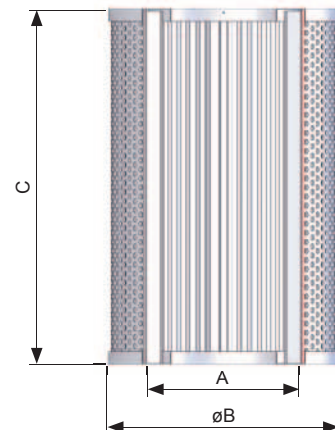
FILTER HOUSING

	D1	D2	E	H1	H2*	H3	R	○	kg
FSC51	3"	210	110	95	174 ÷ 355	480	500	32	13,0
FSC61	4"	242	130	122	250 ÷ 405	470	500	32	16,0

TYPE				
F = FILTER COMPLETE		F	F	
B = FILTER HOUSING		B	B	ELEMENT E
S C	FAMILY, NOMINAL SIZE & LENGTH			FAMILY SIZE & LENGTH S C
		51	61	
F	PORT TYPE			
F = SAE flange 3000 psi		F	F	
	PORT SIZE			
24 = 3"		24	-	
32 = 4"		-	32	
W	BYPASS VALVE			
W = without		W	W	
	SEALS			SEALS
N = NBR Nitrile		N	N	X = not applicable
F = FKM Fluoroelastomer		F	F	
G = treatment for water-glycol		G	G	G = for water glycol
	FILTER MEDIA			FILTER MEDIA
ME = metal wire mesh 60 μm		ME	ME	ME=w. mesh 60 μm
MF = metal wire mesh 90 μm		MF	MF	MF= w. mesh 90 μm
MG = metal wire mesh 250 μm		MG	MG	MG=w. mesh 250 μm
	CLOGGING INDICATOR			
01 = 1/8" port , plugged		-	01	
04 = nr. 2 x 1/8" seats, plugged		04	-	
10 = vacuum gauge, rear connection		10	10	
91 = SPDT, vacuum switch		91	91	
	ACCESSORIES			
W = without		W	W	
M = magnetic core		M	M	
	ACCESSORIES			
W = without		W	W	
S = safety microswitch		S	S	

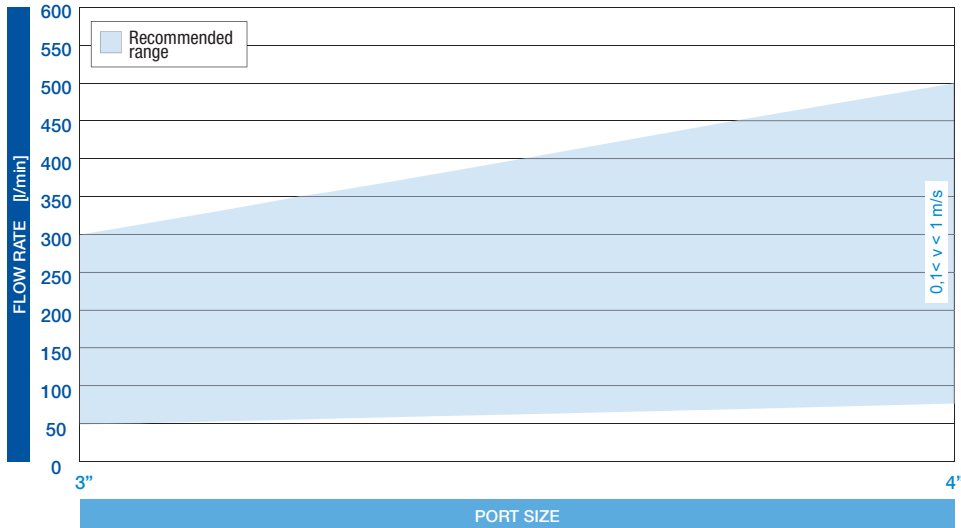
FILTER ELEMENT

	A	B	C	kg	Area (cm ²) Media M+
ESC51	65	99	375	0,90	3.545
ESC61	93	136	375	1,50	5.065



FLUID SPEED

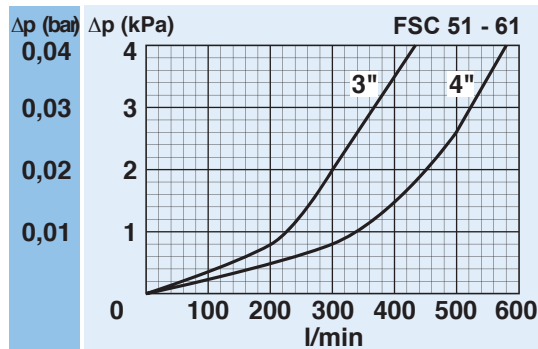
when selecting the filter size, we suggest to consider also the max recommended fluid speed (in suction lines normally $0,1 < v < 1$ m/s)



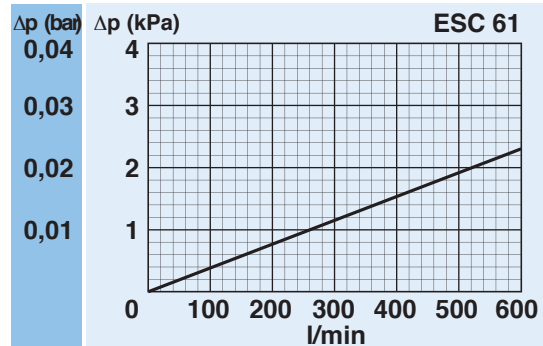
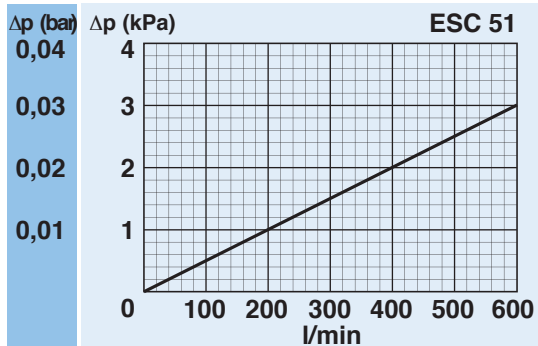
PRESSURE DROP CURVES (Δp)

The “Assembly Pressure Drop (Δp)” is obtained by adding the pressure drop values of the Filter Housing and of the Clean Filter Element corresponding to the considered Flow Rate and it must be lower than 3 kPa (0,03 bar).

FILTER HOUSING PRESSURE DROP
(mainly depending on the port size)



CLEAN FILTER ELEMENT PRESSURE DROP
(pressure drop values of the elements by ME - MF - MG media are very similar)



N.B. All the curves have been obtained with mineral oil having a kinematic viscosity 30 cSt and specific gravity 0,9 kg/dm³; for fluids with different features, please consider the factors described in the first part of this catalogue. All the curves are obtained from test done at the UFI HYDRAULIC DIVISION Laboratory, according to the specification ISO 3968:2005. In case of discrepancy, please check the contamination level, viscosity and features of the fluid in use.

CLOGGING INDICATOR

A visual or electrical indicator allows monitoring of the element condition. The port for the indicator is a standard feature.

MAGNETIC CORE

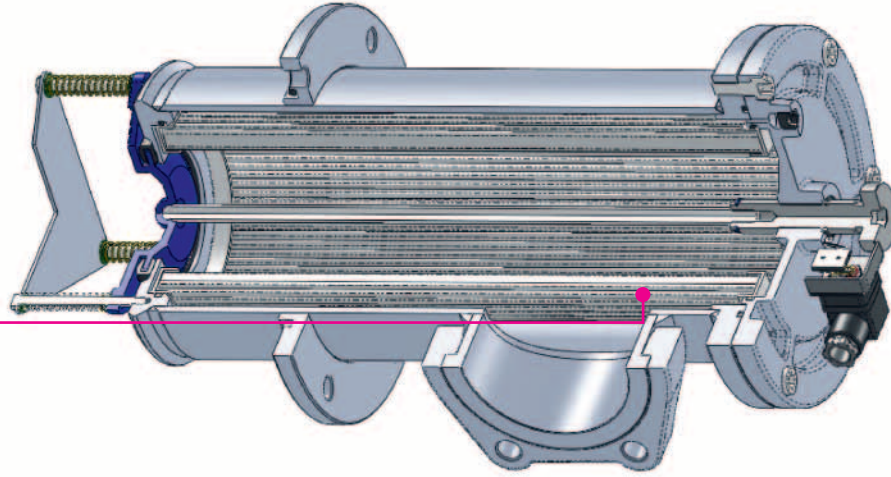
The optional magnetic core is an additional safeguard that pre-filters magnetic particles.

EASY MAINTENANCE

Operated by a hexagonal cover stud the shut-off valve isolates the tank oil allowing easy element replacement without emptying the reservoir.

FAST REPLACEMENT

Loosening four screws will allow removal of quick release cover and replacement element.



CLOGGING INDICATOR

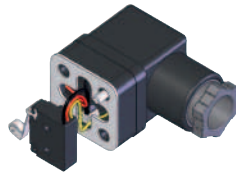
For further technical informations and other options see page 187.



SERIES 10



SERIES 91



SAFETY MICROSWITCH

SPARE SEAL KIT

	NBR	FKM
FSC51	521.0089.2	521.0092.2
FSC61	521.0024.2	521.0093.2

SPARE PARTS ELEMENTS (For filling up see table "Ordering and option chart")

FILTER HOUSING

B | S | C | | F | | W | | | | |

FILTER ELEMENT

E | S | C | | X | | |

CLOGGING INDICATOR

| |

ACCESSORY

|

MAGNETIC CORE

ACCESSORY

|

SAFETY MICROSWITCH

Technical data subject to variations without prior notice. SC-HVY - EN - 03/2011



Is this datasheet the latest release? Please check on our website.

