

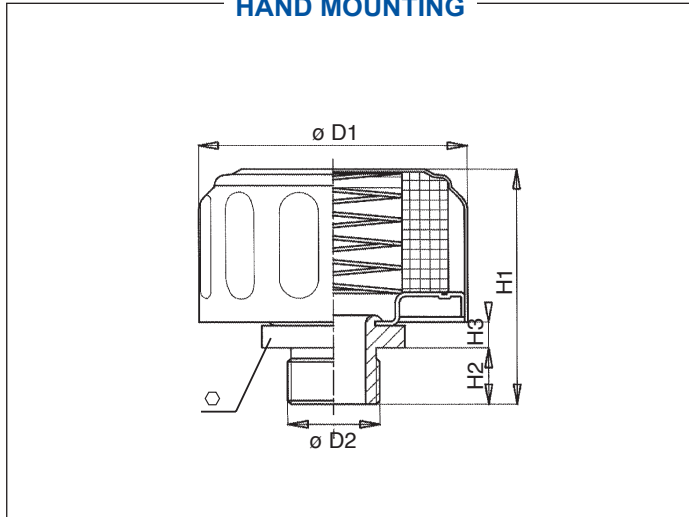


AIR FILTERS





**SERIES CBA
HAND MOUNTING**



DIMENSIONS								
	Filtr. μm	Flow rate (l/min)	D1	D2	ϕ	H1	H2	H3
CBA11B02CC	3	150	47	1/4" BSP	19	45	12	7
CBA11B02PE	10	300	47	1/4" BSP	19	45	12	7
CBA21B06CC	3	450	76	3/4" BSP	35	66	16	7
CBA21B06PE	10	750	76	3/4" BSP	35	66	16	7

ORDERING AND OPTION CHART

C TYPE			
C = ACCESSORY PRODUCT		C	C
B A	FAMILY, SIZE & LENGTH		
		11	21
B	CONNECTION TYPE		
	B = BSP thread	B	B
	CONNECTION SIZE		
	02 = 1/4"	02	-
	06 = 3/4"	-	06
	FILTER MEDIA		
	CC = cellulose	CC	CC
	PE = polyurathan foam	PE	PE



CBA
AIR BREATHERS

SERIES CBA

HAND MOUNTING

Air breathers with threaded connection, zinc plated body and chrome plated cap.

Air filter element (not replaceable):
cellulose 3 μm
polyurathan 10 μm

Is this datasheet the latest release? Please check on our website.



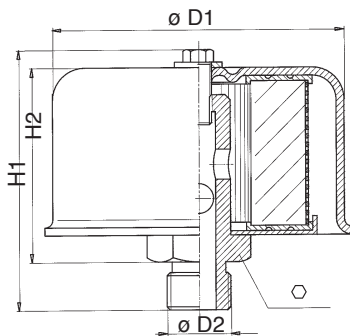
Technical data subject to variations without prior notice. CBA - EN - 03/2011



CBB

AIR BREATHERS

SERIES CBB REPLACEABLE ELEMENT



SERIES CBB

REPLACEABLE ELEMENT

Air breathers with threaded connection by zinc plated steel.

Replaceable filter element, by cellulose 10 μ m.

DIMENSIONS

	Filtr. μ m	Flow rate (l/min)	D1	D2	\varnothing	H1	H2	kg	Spare element
CBB11M12CD	10	200	60	M12 x 1,5	17	56	43	0,16	EBB11CD
CBB11B03CD	10	200	60	3/8" BSP	22	56	43	0,16	EBB11CD
CBB11B02CD	10	200	60	1/4" BSP	22	56	43	0,16	EBB11CD
CBB21M16CD	10	500	82	M16 x 1,5	22	71	53	0,30	EBB21CD
CBB21B04CD	10	500	82	1/2" BSP	24	71	53	0,30	EBB21CD
CBB21B06CD	10	500	82	3/4" BSP	32	71	53	0,30	EBB21CD
CBB31B08CD	10	500	115	1" BSP	40	100	76	0,30	EBB31CD

ORDERING AND OPTION CHART

C	TYPE				ELEMENT	E
	C = ACCESSORY PRODUCT	C	C	C		
B B	FAMILY, SIZE & LENGTH				FAMILY, SIZE & LENGTH	B B
		11	21	31		
	CONNECTION TYPE					
	B = BSP thread	B	B	B		
	M = metric thread	M	M	M		
	CONNECTION SIZE					
	02 = 1/4"	02	-	-		
	03 = 3/8"	03	-	-		
	04 = 1/2"	-	04	-		
	06 = 3/4"	-	06	-		
	08 = 1"	-	-	08		
	12 = M 12x1,5 (metric only)	12	-	-		
	16 = M 16x1,5 (metric only)	-	16	-		
C D	FILTER MEDIA				FILTER MEDIA	C D
	CD = cellulose	CD	CD	CD	CD = cellulose	



Is this datasheet the latest release? Please check on our website.





CBC

AIR BREATHER FILTER

MATERIALS

Housing:
Plastic

Basket:
Plastic

Seals:
Nitrile NBR

SPARE FILTER ELEMENT
(for size 21 only)

Type EBC21NCC:
Cellulose

Filtration degree (in air): 3µm

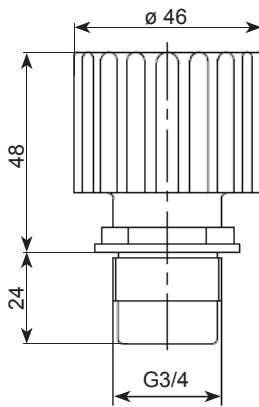
COMPATIBILITY

Full with fluids HH-HL-HM-HV-HTG (according to ISO 6743/4). For fluids different than the above mentioned, please contact our Sales Department.

WORKING TEMPERATURE

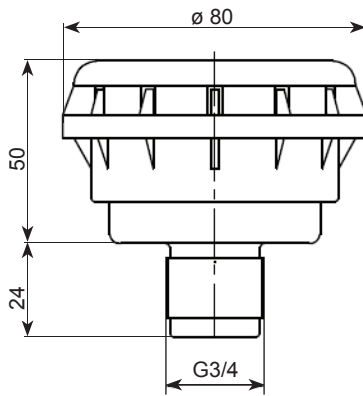
From -25°C to 110°C

CBC01
(not replaceable element)



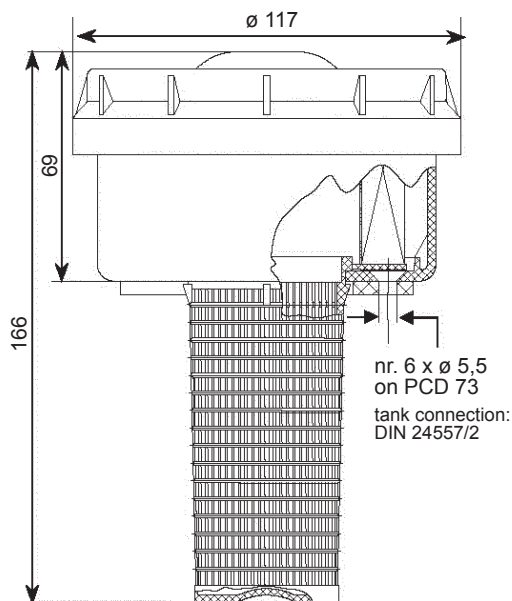
Flow rate: 300 l/m

CBC11
(not replaceable element)



Flow rate: 500 l/m

CBC21



Flow rate: 1.800 l/m

nr. 6 x ø 5,5
on PCD 73
tank connection:
DIN 24557/2

ORDERING AND OPTION CHART

C	TYPE				ELEMENT	E
	C = ACCESSORY PRODUCT	C	C	C		
B	FAMILY, SIZE & LENGTH				FAMILY, SIZE & LENGTH	B C 2 1
		01	11	21		
	CONNECTION TYPE					
	S = flange	-	-	S		
	B = BSP	B	B	-		
	CONNECTION SIZE					
	00 = DIN 24557/2	-	-	00		
	03 = 3/4"	03	03	-		
W	PRESSURIZATION VALVE					
	W = without	W	W	W		
N	SEALS				SEALS	N
	N = NBR Nitrile	N	N	N		
C	FILTER MEDIA				FILTER MEDIA	C C
	CC = cellulose	CC	CC	CC		
		-	-	CC	CC = cellulose	
W	ACCESSORIES					
	W = without	W	W	W		



Is this datasheet the latest release? Please check on our website.

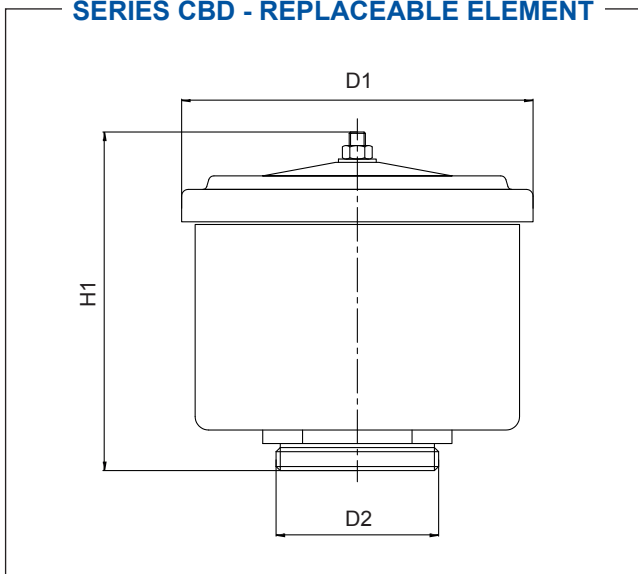




CBD

THREAD MOUNTING

SERIES CBD - REPLACEABLE ELEMENT



DIMENSIONS

	Flow rate (l/min)	D1	D2	H1	kg
CBD11	500	130	2" BSP	100	0,50
CBD12	1.000	130	2" BSP	130	0,60
CBD13	1.500	130	2" BSP	175	0,80

ORDERING AND OPTION CHART

C TYPE				ELEMENT		E					
C = ACCESSORY PRODUCT				C	C	C					
B	D	FAMILY, SIZE & LENGTH				FAMILY, SIZE & LENGTH	B	D			
			11	12	13						
B CONNECTION TYPE											
B = BSP thread				B	B	B					
1	6	CONNECTION SIZE									
		16 = 2"				16	16	16			
FILTER MEDIA							FILTER MEDIA				
VD = velvet mesh				VD	VD	VD	VD = velvet mesh				
FD = glassfiber				FD	FD	FD	FD = glassfiber				
CD = cellulose				CD	CD	CD	CD = cellulose				

MATERIALS

Housing:
Painted steel (black)

SPARE FILTER ELEMENT

VD - Velvet mesh
Filtration degree (in air) 10µm.

FD - Glass fiber (on request only)
Filtration degree (in air) 2,5µm.

CD - Cellulose (on request only)
Filtration degree (in air) 10µm.

COMPATIBILITY

Full with fluids HH-HL-HM-HV-HTG (according to ISO 6743/4). For fluids different than the above mentioned, please contact our Sales Department.

WORKING TEMPERATURE

From -25°C to 110°C



Is this datasheet the latest release? Please check on our website.





CBE

FLANGE MOUNTING

MATERIALS

Housing:
Painted steel (black)

SPARE FILTER ELEMENT

VD - Velvet mesh
Filtration degree (in air) 10µm.

FD - Glass fiber (on request only)
Filtration degree (in air) 2,5µm.

CD - Cellulose (on request only)
Filtration degree (in air) 10µm.

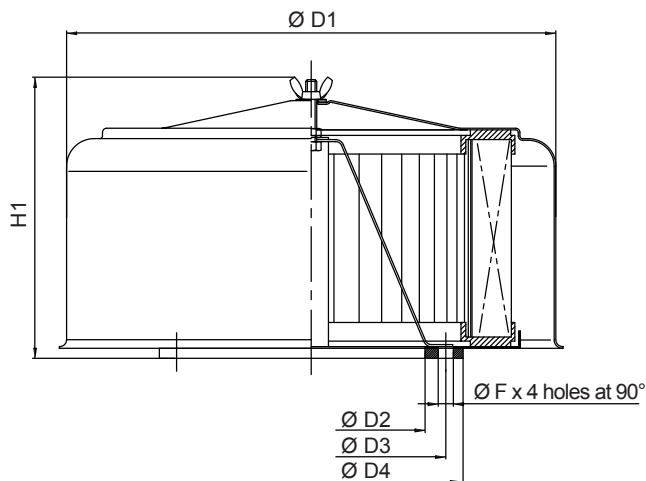
COMPATIBILITY

Full with fluids HH-HL-HM-HV-HTG (according to ISO 6743/4). For fluids different than the above mentioned, please contact our Sales Department.

WORKING TEMPERATURE

From -25°C to 110°C

SERIES CBE - REPLACEABLE ELEMENT



DIMENSIONS

	Flow rate (l/min)	D1	D2	D3	D4	F	H1	kg
CBE11	6.000	292	100	130	160	8,5	120	2,50
CBE12	9.000	292	125	155,5	180	11	145	2,80
CBE21	12.000	354	145	175	200	11	160	2,50
CBE22	15.000	354	165	195	220	11	190	3,00
CBE23	20.000	354	165	195	220	11	240	3,50

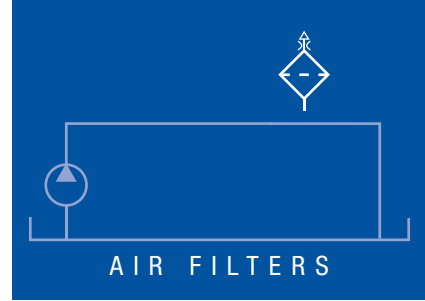
ORDERING AND OPTION CHART

C	TYPE						ELEMENT	E
	C = ACCESSORY PRODUCT	C	C	C	C	C		
B	E	FAMILY, SIZE & LENGTH					FAMILY, SIZE & LENGTH	B
			11	12	21	22	23	
F	CONNECTION TYPE							
	F = round flange	F	F	F	F	F		
	CONNECTION SIZE							
	10 = hole ø 100 mm	10	-	-	-	-		
	12 = hole ø 125 mm	-	12	-	-	-		
	14 = hole ø 145 mm	-	-	14	-	-		
	16 = hole ø 165 mm	-	-	-	16	16		
	FILTER MEDIA						FILTER MEDIA	
	VD = velvet mesh	VD	VD	VD	VD	VD	VD = velvet mesh	
	FD = glassfiber	FD	FD	FD	FD	FD	FD = glassfiber	
	CD = cellulose	CD	CD	CD	CD	CD	CD = cellulose	



Is this datasheet the latest release? Please check on our website.

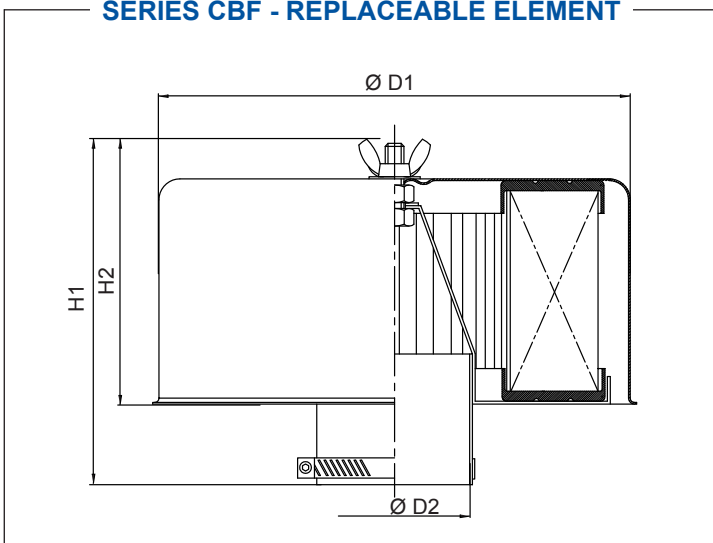




CBF

CLAMP MOUNTING

SERIES CBF - REPLACEABLE ELEMENT



DIMENSIONS

	Flow rate (l/min)	D1	D2	H1	H2	kg
CBF11C40	1.000	122	40	120	92	0,60
CBF11C52	1.500	122	52	120	92	0,60
CBF21C70	3.000	220	70	145	125	1,60
CBF21C76	4.000	220	76	145	125	1,60

ORDERING AND OPTION CHART

C TYPE		ELEMENT		E
C = ACCESSORY PRODUCT		C	C	
B F	FAMILY, SIZE & LENGTH	FAMILY, SIZE & LENGTH		B F
		11	21	
C	CONNECTION TYPE			
	C = clamp	C	C	
	CONNECTION SIZE			
	40 = hole ø 40 mm	40	-	
	52 = hole ø 52 mm	52	-	
	70 = hole ø 70 mm	-	70	
	76 = hole ø 76 mm	-	76	
	FILTER MEDIA	FILTER MEDIA		
	VD = velvet mesh	VD	VD	VD = velvet mesh
	FD = glassfiber	FD	FD	FD = glassfiber
	CD = cellulose	CD	CD	CD = cellulose

MATERIALS

Housing:
Painted steel (black)

Clamp:
Stainless steel

SPARE FILTER ELEMENT

VD - Velvet mesh
Filtration degree (in air) 10µm.

FD - Glass fiber (on request only)
Filtration degree (in air) 2,5µm.

CD - Cellulose (on request only)
Filtration degree (in air) 10µm.

COMPATIBILITY

Full with fluids HH-HL-HM-HV-HTG (according to ISO 6743/4). For fluids different than the above mentioned, please contact our Sales Department.

WORKING TEMPERATURE

From -25°C to 110°C



Is this datasheet the latest release? Please check on our website.





CBS

TANK CONNECTORS FOR AIR BREATHERS
WITH SPIN-ON CARTRIDGE

MATERIALS

Connector:
Steel (zinc plated for the flanged version)

Cartridge can:
Steel

Filter media:
CC = Cellulose
FD = Inorganic fiber

Filtration degree (in air): 3µm

COMPATIBILITY

Full with fluids HH - HL - HM - HR - HV - HG
(according to ISO 6743/4). For fluids
different than the above mentioned,
please contact our Sales Department.

WORKING TEMPERATURE

From -25°C to 110°C

ORDERING AND OPTION CHART

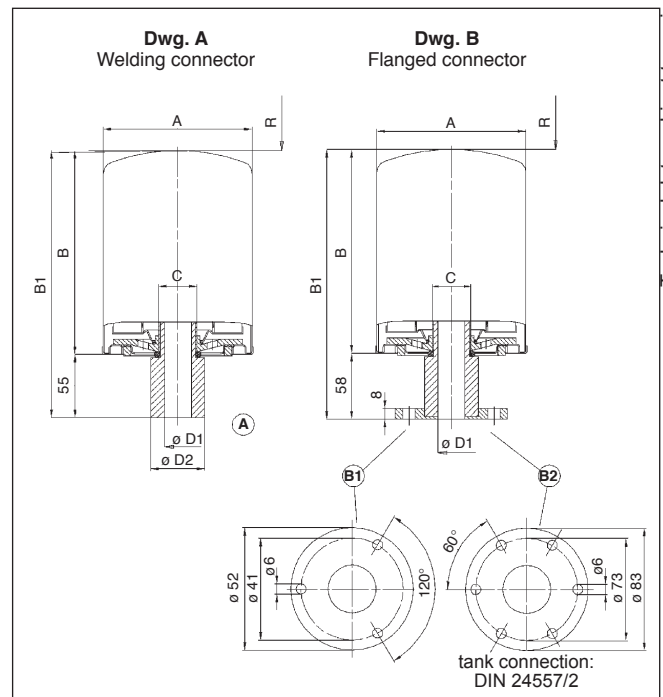
C TYPE						ELEMENT	A
C = ACCESSORY PRODUCT		C	C	C	C		
B S	FAMILY, SIZE & LENGTH					FAMILY, SIZE & LENGTH	S E
		T1	T2	T1	T2		
CONNECTION TYPE							
S = standard flange		S	S	S	S		
W = welding connector		W	W	W	W		
W	PRESSURIZATION VALVE						
W = without		W	W	W	W		
SEALS						SEALS	X
X = no seals (welding type)		X	X	X	X		
C = sugheroil (flange type)		C	C	C	C		
FILTER MEDIA						FILTER MEDIA	
FD = glassfiber		FD	FD	FD	FD	FD = glassfiber	
CC = cellulose		CC	CC	CC	CC	CC = cellulose	

DIMENSIONS

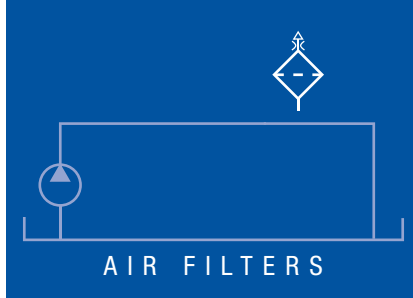
Cellulose = CC Inorganic fiber = FD	Dwg.	Flow rate (l/min)	A	B	B1	C	D1	D2	R	
CBS11WWX	□□	A	1.800	96	146	201	3/4" BSP	18	32	40
CBS12WWX	□□	A	1.800	96	191	246	3/4" BSP	18	32	40
CBS21WWX	□□	A	2.800	129	181	236	1 1/4" BSP	32	48	40
CBS22WWX	□□	A	2.800	129	226	281	1 1/4" BSP	32	48	40
CBS11SWC	□□	B1	1.800	96	146	204	3/4" BSP	18	-	40
CBS12SWC	□□	B1	1.800	96	191	249	3/4" BSP	18	-	40
CBS21SWC	□□	B2	2.800	129	181	239	1 1/4" BSP	32	-	40
CBS22SWC	□□	B2	2.800	129	226	284	1 1/4" BSP	32	-	40



Is this datasheet
the latest release?
Please check
on our website.



Technical data subject to variations without prior notice. CBS - EN - 03/2011



CSE

AIR BREATHERS WITH SPIN-ON CARTRIDGE

MATERIALS

Adaptor:
zinc plated steel

Basket:
zinc plated steel

Cartridge can:
steel

Filter media:
CC = Cellulose
FD = Inorganic fiber

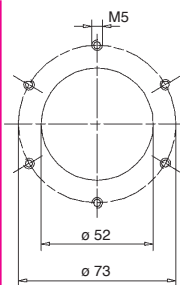
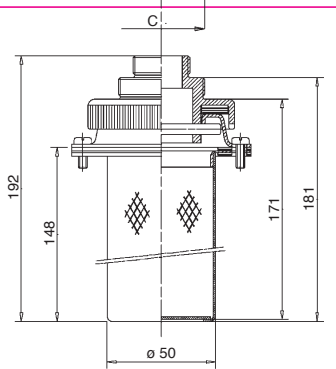
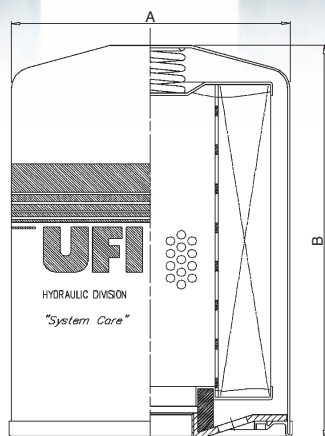
Filtration degree (in air): 3µm

COMPATIBILITY

Full with fluids HH - HL - HM - HR - HV - HG (according to ISO 6743/4). For fluids different than the above mentioned, please contact our Sales Department.

WORKING TEMPERATURE

From -25°C to 110°C



tank connection:
DIN 24557/2

Without can

CODE:
012.0053.2



Is this datasheet the latest release? Please check on our website.



Technical data subject to variations without prior notice. CSE - EN - 03/2011

DIMENSIONS

Cellulose = CC Inorganic fiber = FD		Flow rate (l/min)	A	B	C
CSE11SWC	<input type="checkbox"/> <input type="checkbox"/>	1.800	96	146	3/4" BSP
CSE12SWC	<input type="checkbox"/> <input type="checkbox"/>	1.800	96	191	3/4" BSP
CSE21SWC	<input type="checkbox"/> <input type="checkbox"/>	2.800	129	181	1 1/4" BSP
CSE22SWC	<input type="checkbox"/> <input type="checkbox"/>	2.800	129	226	1 1/4" BSP

ORDERING AND OPTION CHART

C TYPE					ELEMENT				A	
C = ACCESSORY PRODUCT					C	C	C	C		
S E	FAMILY, SIZE & LENGTH					FAMILY, SIZE & LENGTH				S E
						11	12	21	22	
S CONNECTION TYPE										
S = standard flange					S	S	S	S		
W PRESSURIZATION VALVE										
W = without					W	W	W	W		
C SEALS					SEALS				X	
C = sugheroil (flange type)					C	C	C	C		
FILTER MEDIA					FILTER MEDIA					
FD = glassfiber					FD	FD	FD	FD	FD = glassfiber	
CC = cellulose					CC	CC	CC	CC	CC = cellulose	



AIR SENTRY

AIR DRYER FILTER BREATHERS

TECHNICAL DATA

Nominal air flow rate: 1.000 l/min

Solid contaminant filtration: 2µm

Silica gel adsorption:
up to 40% of its weight in water

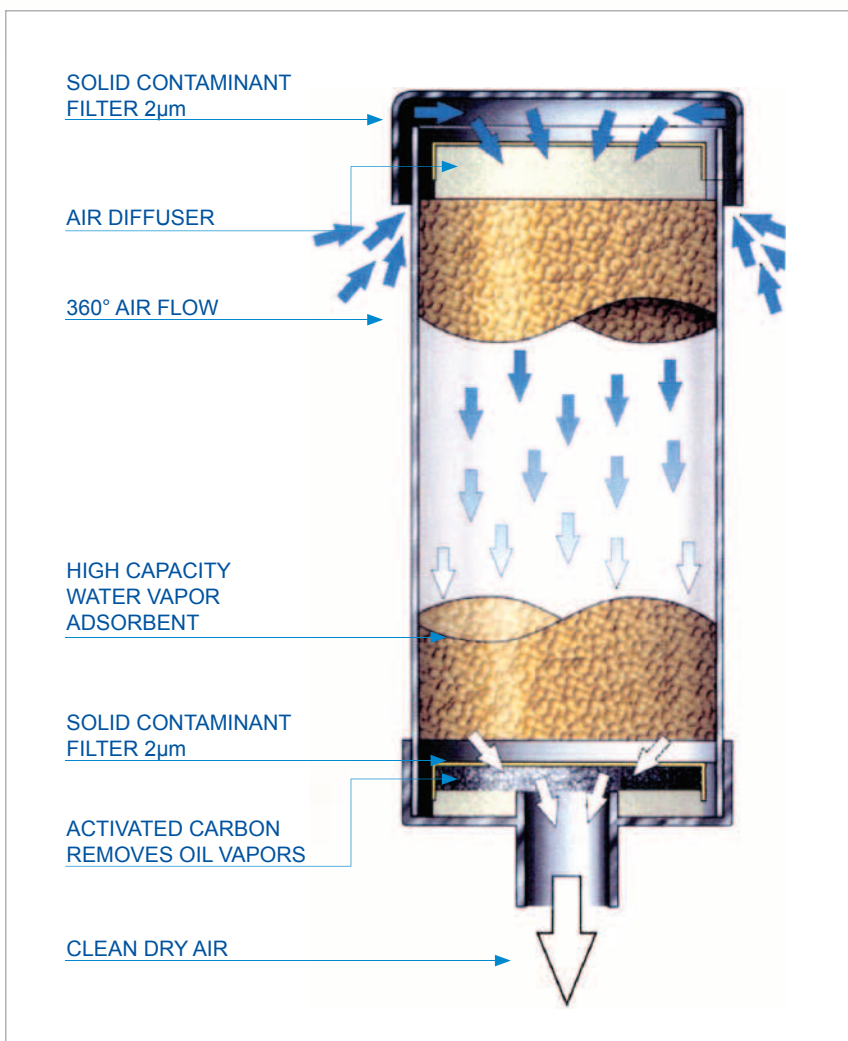
MATERIALS

D-10+ are manufactured from rugged ABS plastic and impact-modified Plexiglas.

R-10+ have a rugged steel reinforced base for heavy duty applications.

WORKING TEMPERATURE

From -30°C to 100°C

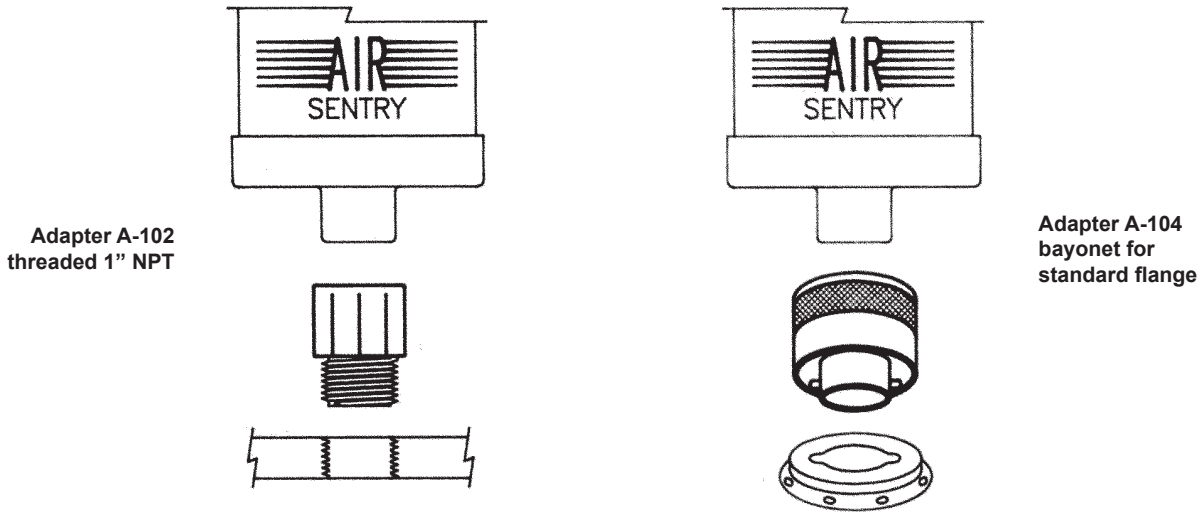


CONNECTION TO THE RESERVOIR

The breathers D10+ can be attached to the reservoir by using an adapter :

- mod. A-102 for mounting in a threaded hole 1"
- mod. A-104 for bayonet mounting on a standard flange pattern (6 holes on 73 mm PCD)

The breathers R10+ are attached to the re-servoir by 1" NPT male pipe thread.



Air Sentry Breathers use a three-stage filtration design to ensure optimum protection by removing water vapor and solid contaminants before they enter the fluid system.

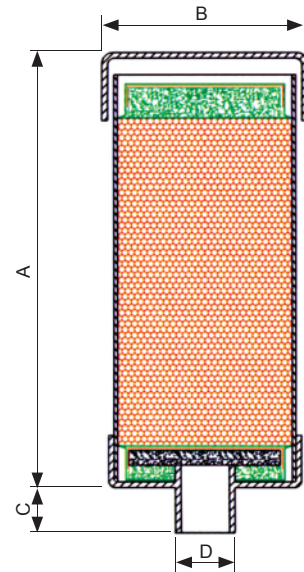
First, air passes through a fine, 2µm solid particle filter. The air then passes through a diffuser to ensure maximum effectiveness within the silica gel chamber.

Next, water vapor is removed as the air travels through a bed of silica gel, the highest capacity adsorbent available. After being dried, the air passes through a second 2µm solid particle filter and enter the reservoir, clean and dry.

Air entering is cleaned and dried. Expelled air partially regenerates the silica gel and backflushes the particulate filter to prolong the life of the breather.

Silica gel is chemically inert, non-toxic, non-deliquescent and non-corrosive. The internal structure is composed of interconnected microscopic pores that adsorb up to 40% of its weight.

When maximum adsorption is reached, the silica gel turns from yellow to blue to indicate that replacement of the breather is required.



DIMENSIONS						
	A	ø B	C	D	kg	Max H ₂ O capacity (l)
D-101	127	127	32	to fit an adaptor A-10+	1,0	0,2
D-102	205	127	32		1,7	0,5
R-101	140	132	25	1" NPT	1,5	0,2
R-102	216	132	25	1" NPT	2,1	0,5



Is this datasheet the latest release? Please check on our website.