



CFA

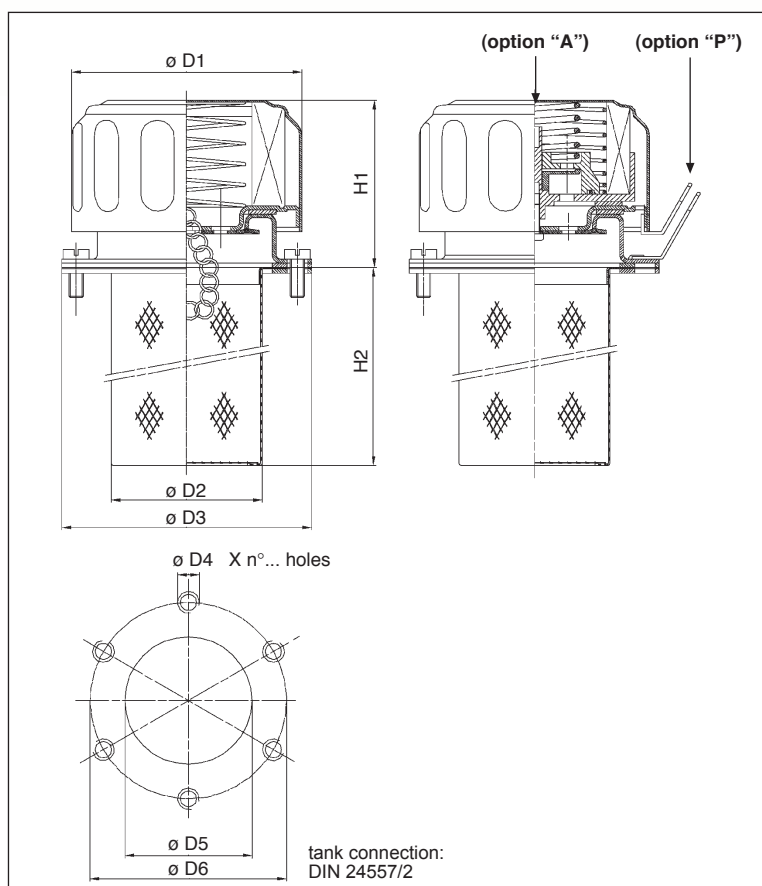
FILLING BREATHERS



Filling plugs with inbuilt air breather; flanged tank connection with standard dimensions; protection basket against ingress of coarse parts (removable for CFA23); zinc plated steel body and chrome plated steel cap; seals by cork (Buna N - Nitrile for pressurized version only).

Air filter element (not replaceable):
cellulose 3µm
polyurathan 10µm

For sizes CFA21 & CFA22 only the plug has a safety chain.



Is this datasheet the latest release? Please check on our website.



DIMENSIONS

	Filtr. µm	Flow rate (l/min)	D1	D2	D3	D4	holes n°	D5	D6	H1	H2
CFA11SWCCC	3	150	47	29	52	M5	3	31	41	48	64
CFA11SWCPE	10	300	47	29	52	M5	3	31	41	48	64
CFA21SWCCC	3	450	80	50	83	M5	6	52	73	57	78
CFA21SWCPE	10	750	80	50	83	M5	6	52	73	57	78
CFA22SWCCC	3	450	80	50	83	M5	6	52	73	57	148
CFA22SWCPE	10	750	80	50	83	M5	6	52	73	57	148
CFA23SWCCC	3	450	80	40	83	M5	6	42	73	57	100
CFA23SWCPE	10	750	80	40	83	M5	6	42	73	57	100

ORDERING AND OPTION CHART

C TYPE				
C = ACCESSORY PRODUCT				
F A	FAMILY, SIZE & LENGTH			
	11	21	22	23
S MOUNTING PATTERN				
S = DIN 24557/2 flange				
	S	S	S	S
PRESSURIZATION VALVE				
W = without				
	W	W	W	W
A = 0,35 bar				
	-	A	A	-
SEALS				
C = sugheroil				
	C	C	C	C
N = NBR Nitrile (with A option only)				
	-	N	N	-
FILTER MEDIA				
CC = cellulose				
	CC	CC	CC	CC
PE = polyurathan foam				
	PE	PE	PE	PE
ACCESSORIES				
P = padlock holder				
	-	P	P	-

CLA

VISUAL LEVEL INDICATORS

MATERIALS

Visual level indicators, tank side mounting.

Transparent part:
Trogamid T

Anti-shock protection:
painted steel

Fixing bolts:
zinc plated steel

Seals:
NBR Nitrile
(FKM - on request fluoroelastomer)

Double scale thermometer
(Celsius and Farenheit) option available.

Tightening torque for the fixing bolts 10 Nm.

PRESSURE

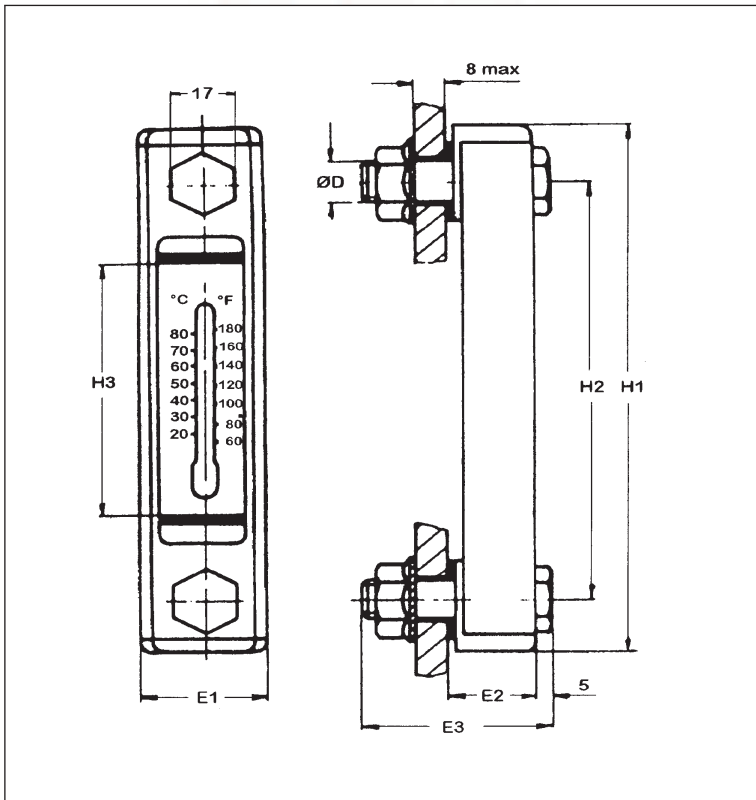
Max pressure allowed 100 kPa (1 bar).

WORKING TEMPERATURE

From -20°C to +90°C



Is this datasheet
the latest release?
Please check
on our website.



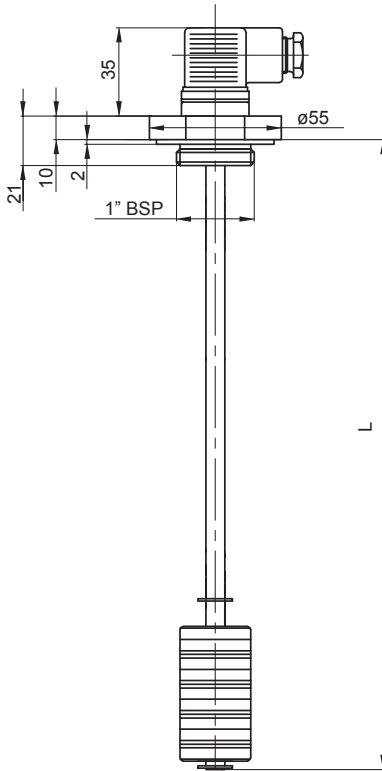
DIMENSIONS							
	H1	H2	H3	D	E1	E2	E3
CLA11M10NW	108	76	32	M10	35	24	50
CLA11M10NT	108	76	32	M10	35	24	50
CLA12M12NW	160	127	78	M12	35	24	50
CLA12M12NT	160	127	78	M12	35	24	50
CLA13M12NW	286	254	202	M12	35	24	50
CLA13M12NT	286	254	202	M12	35	24	50

ORDERING AND OPTION CHART

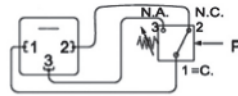
C TYPE				
C = ACCESSORY PRODUCT		C	C	C
L A	FAMILY, SIZE & LENGTH			
		11	12	13
M CONNECTION TYPE				
M = metric thread		M	M	M
CONNECTION SIZE				
10 = M10		10	10	-
12 = M12		12	12	12
N SEALS				
N = NBR Nitrile		N	N	N
ACCESSORIES				
W = without		W	W	W
T = with thermometer		T	T	T

CLB

FLOAT SWITCHES



ELECTRICAL DATA



SPDT Reed switch
 Max load AC up to 48 V - 0,5 A
 Maxload DC up to 48 V - 0,5 A
 Connector DIN 43650
 Protection DIN 40050: IP 65

Electrical level indicators, an electrical signal is activated when the minimum (or maximum) oil level is reached.

The REED switch has SPDT contacts.

N.B. the float switch must be mounted at min 50 mm from ferrous walls.

Max oil viscosity 150 cSt.

MATERIALS

Tank connection:
Anodized aluminium

Rod:
Stainless steel

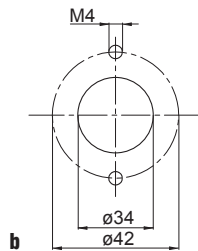
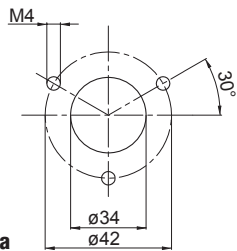
Float:
Polyamide

COMPATIBILITY

Full with fluids HH-HL-HM-HV-HTG (according to ISO 6743/4). For fluids different than the above mentioned, please contact our Sales Department.

WORKING TEMPERATURE

From -10°C to 90°C



Tank mounting pattern possibilities:

- 1" BSP thread
- nr. 3 holes (a)
- nr. 2 holes (b)

DIMENSIONS

	L
CLB15	150
CLB20	200
CLB25	250
CLB35	350
CLB40	400
CLB50	500

ORDERING AND OPTION CHART

C TYPE		C	C	C	C	C	C
C = ACCESSORY PRODUCT							
L B	FAMILY, SIZE & LENGTH	15	20	25	35	40	50
U	CONNECTION TYPE	U	U	U	U	U	U
U = universal, BSP+2-3 holes flange							
N	SEALS	N	N	N	N	N	N
N = NBR Nitrile							
W	ACCESSORIES	W	W	W	W	W	W
W = without							



Is this datasheet the latest release? Please check on our website.

