



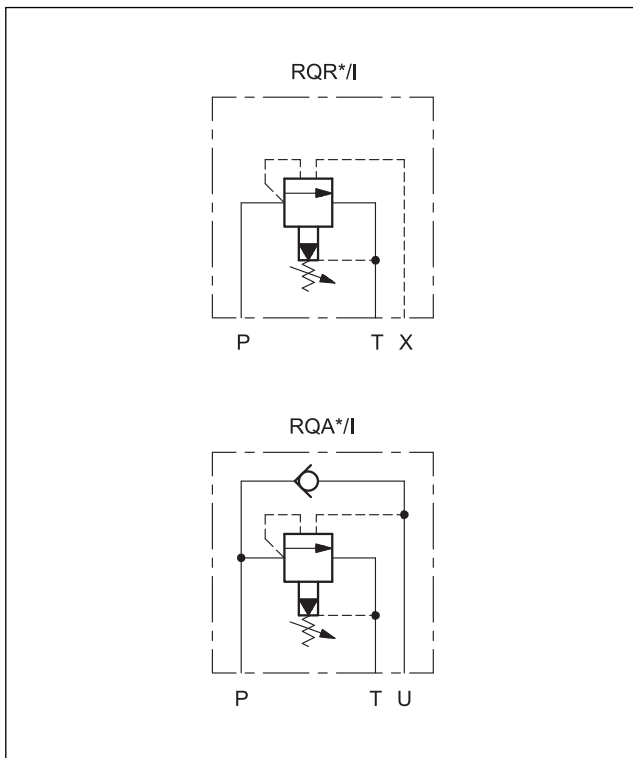
**RQ\*\*-P**  
**UNLOADING VALVE**  
(FOR CIRCUITS WITH ACCUMULATOR)  
**SERIES 42**

**RQR\*-P**  
FOR REMOTE PILOTING

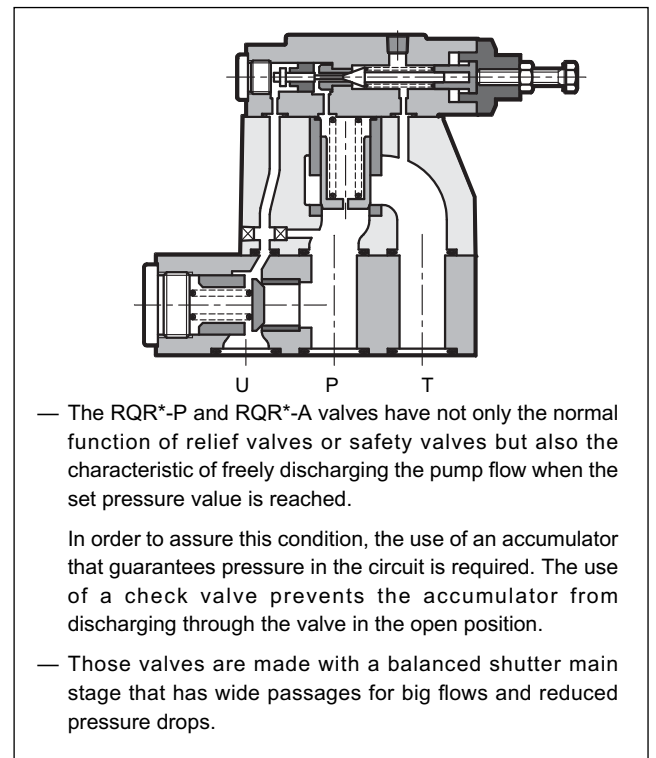
**RQA\*-P**  
WITH INCORPORATED CHECK VALVE

**SUBPLATE MOUNTING**

**HYDRAULIC SYMBOLS**



**OPERATING PRINCIPLE**

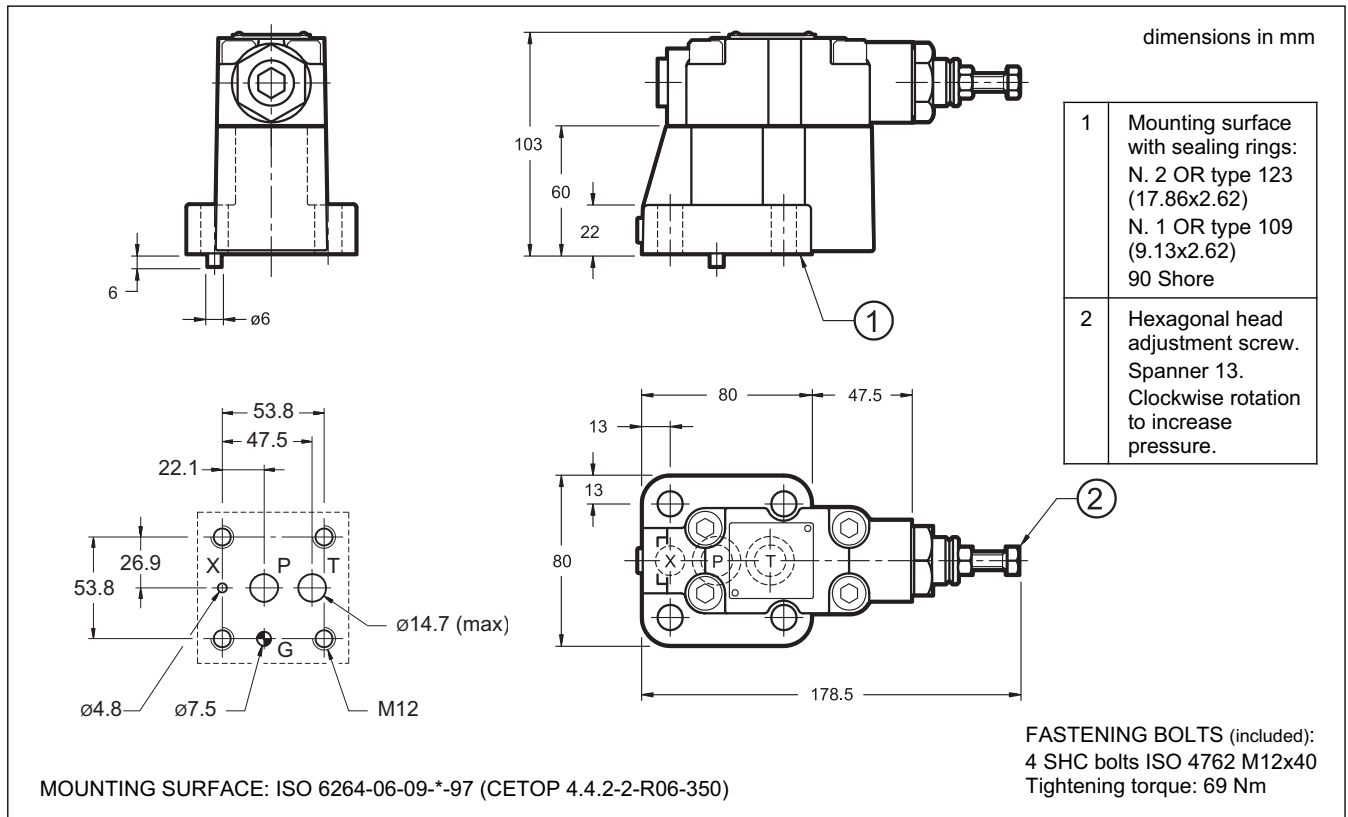


**PERFORMANCES** (measured with mineral oil of viscosity 36 cSt at 50°C)

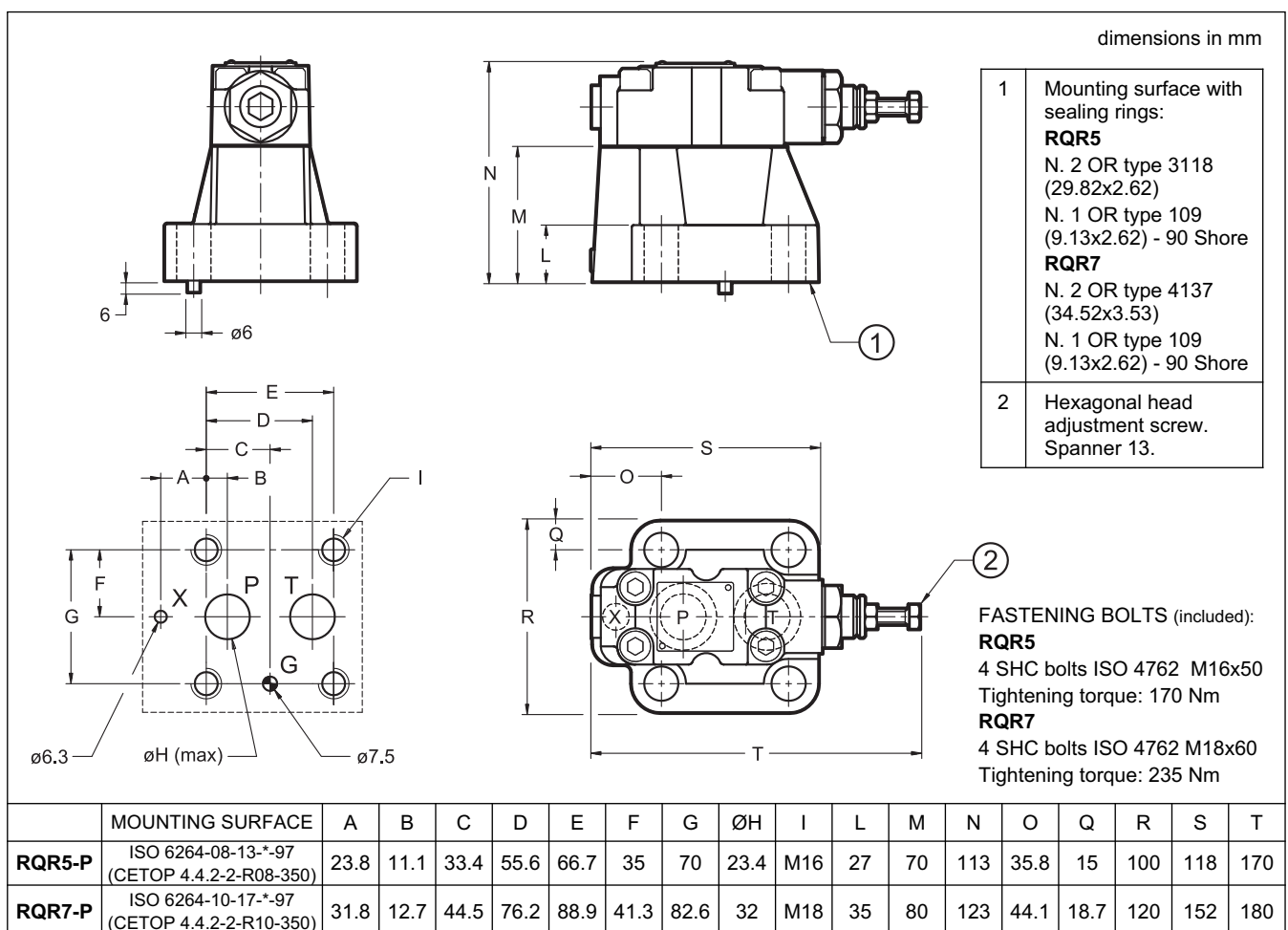
		<b>RQR3-P</b>	<b>RQR5-P</b>	<b>RQR7-P</b>	<b>RQA5-P</b>	<b>RQA7-P</b>
Maximum operating pressure	bar	350			320	
Maximum flow rate	l/min	200	400	500	400	500
Ambient temperature range	°C	-20 / +50				
Fluid temperature range	°C	-20 / +80				
Fluid viscosity range	cSt	10 ÷ 400				
Fluid contamination degree		According to ISO 4406:1999 class 20/18/15				
Recommended viscosity	cSt	25				
Mass	Kg	3,5	4,3	6,5	10,4	19



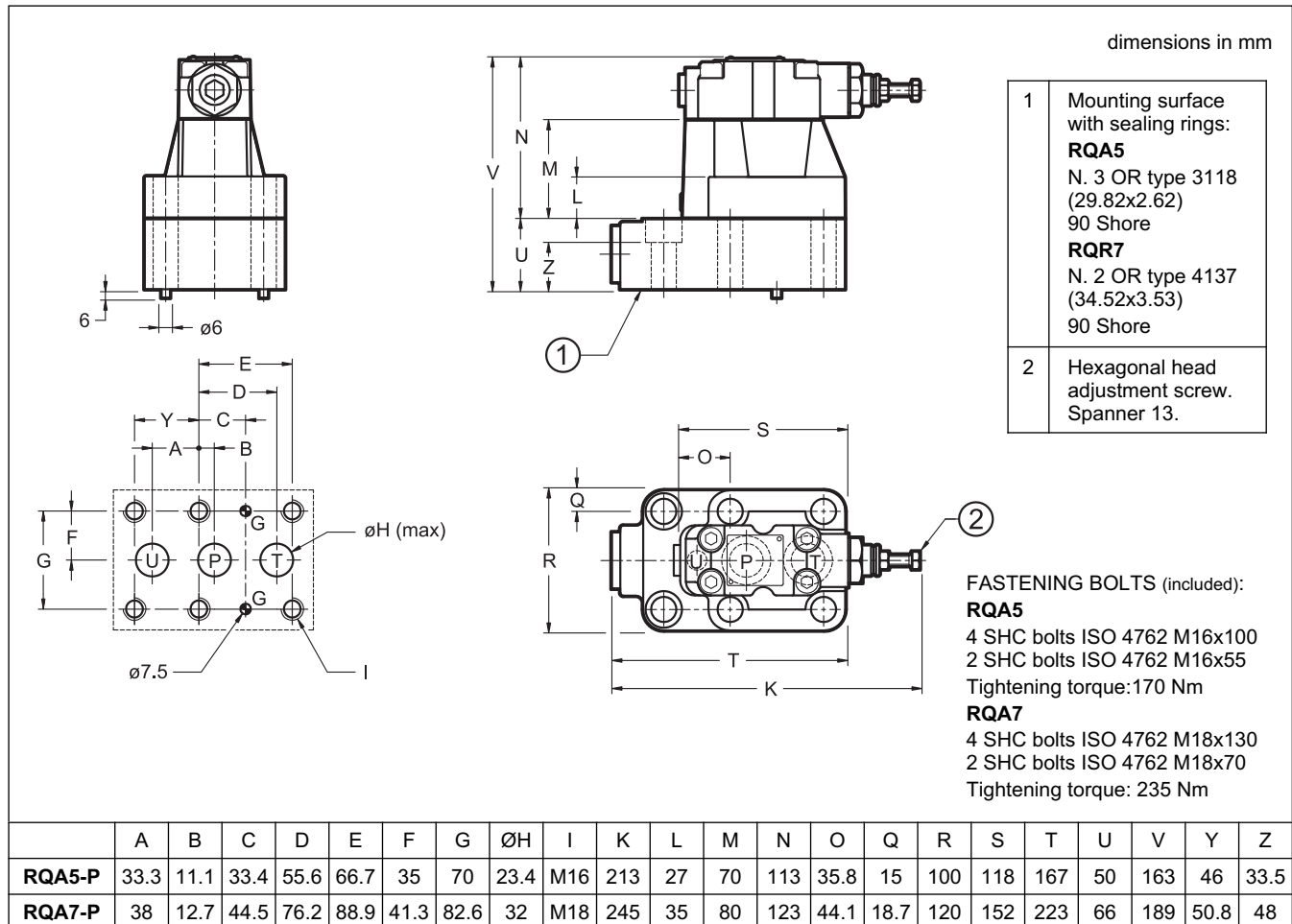
### 4 - RQR3-P OVERALL AND MOUNTING DIMENSIONS



### 5 - RQR5-P and RQR7-P OVERALL AND MOUNTING DIMENSIONS



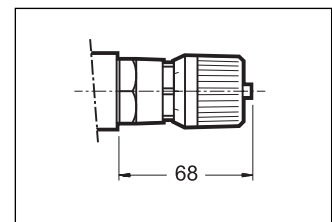
### 6 - RQA5-P and RQA7P OVERALL AND MOUNTING DIMENSIONS



### 7 - ADJUSTMENT KNOB

The valves can be equipped with a SICBLOC adjustment knob. To operate it, push and rotate at the same time.

To request this option, add: /M (see paragraph 1).



### 8 - SUBPLATES (see catalogue 51 000)

	RQR3-P	RQR5-P	RQR7-P	RQA5-P	RQA7-P
Type	PMRQ3-AI4G rear ports	PMRQ5-AI5G rear ports	PMRQ7-AI7G rear ports	PMRQA5-AI5G rear ports	PMRQA7-AI7G rear ports
P, T, U ports dimensions	P: 1/2" BSP T: 3/4" BSP	1" BSP	1" 1/4 BSP	3/4" BSP	1" 1/4 BSP
X port dimension	1/4" BSP	1/4" BSP	1/4" BSP	-	-