

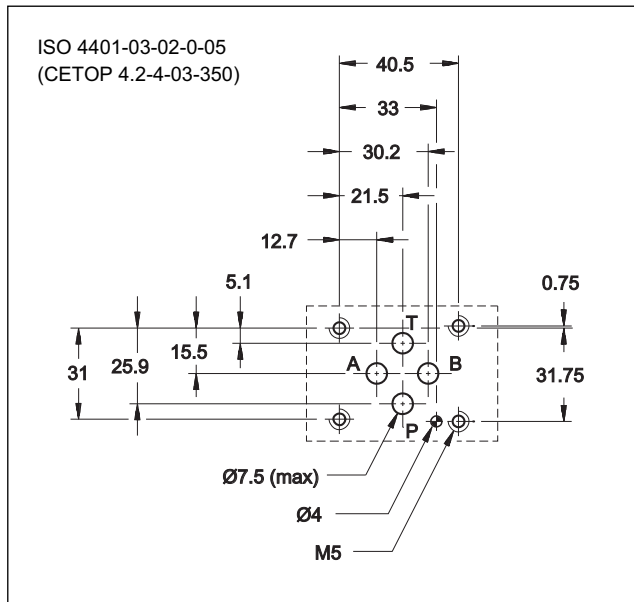
DSE3B

DIRECTIONAL VALVE WITH PROPORTIONAL CONTROL SERIES 10

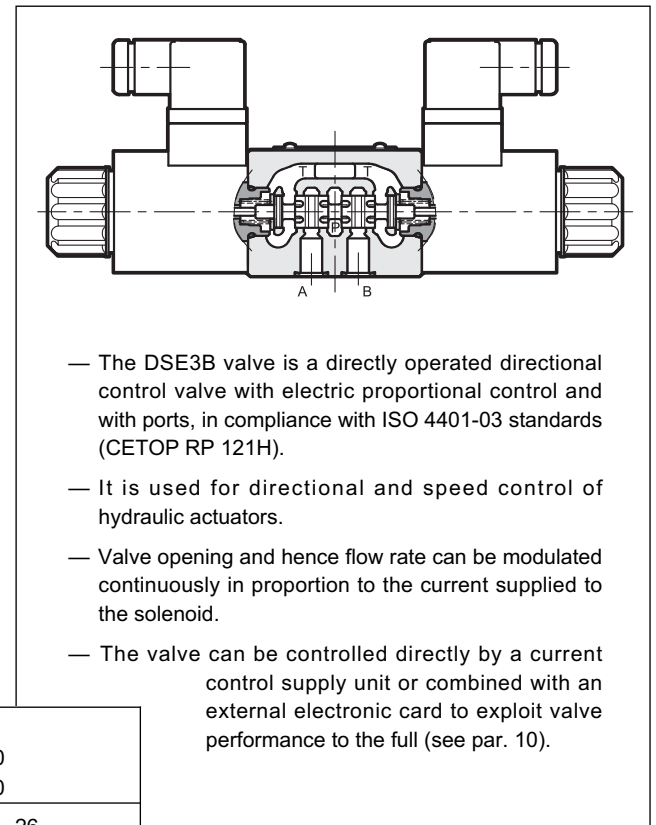
**SUBPLATE MOUNTING
ISO 4401-03 (CETOP 03)**

p max 350 bar
Q max 40 l/min

MOUNTING INTERFACE



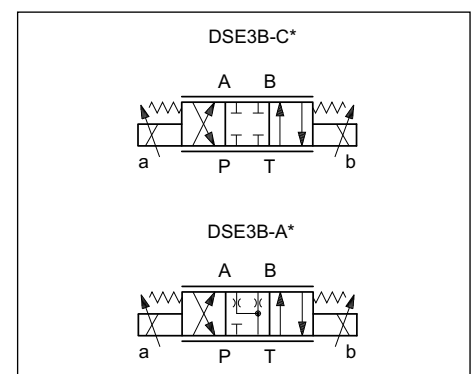
OPERATING PRINCIPLE



PERFORMANCES (obtained with mineral oil with viscosity of 36 cSt at 50°C and with the relative electronic control units)

Max operating pressure: P - A - B ports	bar	350
T port		160
Nominal flow with Δp 10 bar P-T	l/min	8 - 16 - 26
Step response		see chapter 6
Hysteresis (with PWM 200 Hz)	% Q_{max}	< 6%
Repeatability	% Q_{max}	< \pm 2%
Electrical characteristics		see chapter 5
Ambient temperature range	°C	-20 / +50
Fluid temperature range	°C	-20 / +80
Fluid viscosity range	cSt	10 + 400
Fluid contamination degree	According to ISO 4406:1999 class 18/16/13	
Recommended viscosity	cSt	25
Mass: single solenoid valve	kg	1,6
double solenoid valve		2,0

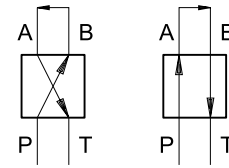
HYDRAULIC SYMBOLS (typical)



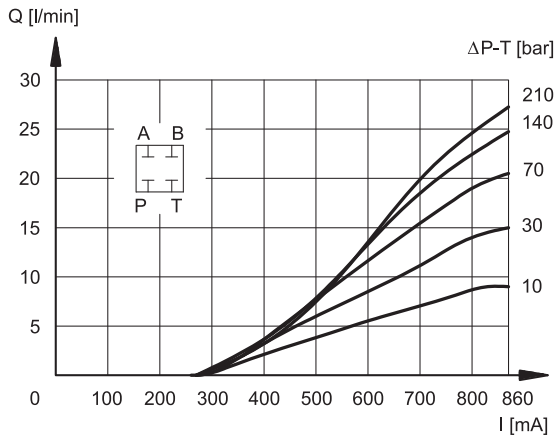
3 - CHARACTERISTIC CURVES (values measured with viscosity of 36 cSt at 50°C with valves connected to the relative electronic control units)

Typical constant flow rate control curves at Δp according to current supply to solenoid (D24 version, maximum current 860 mA), measured for the various spool types available.

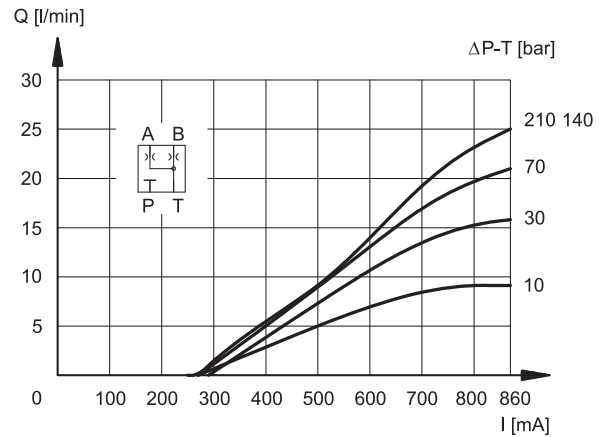
The reference Δp values are measured between ports P and T on the valve.



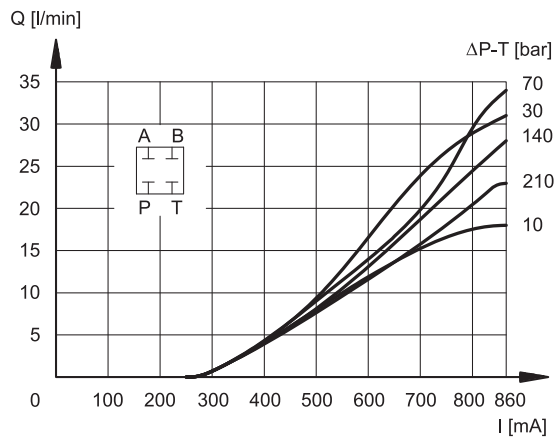
SPOOL TYPE C08



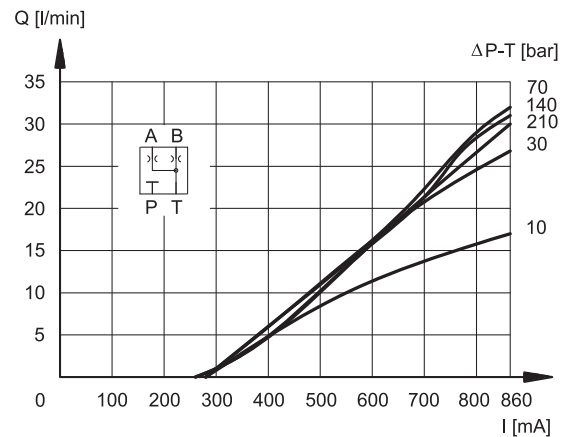
SPOOL TYPE A08



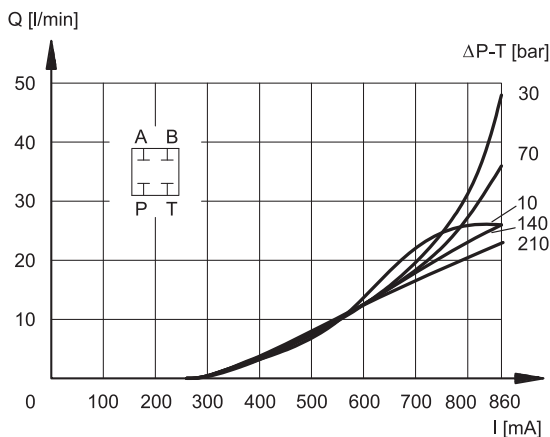
SPOOL TYPE C16



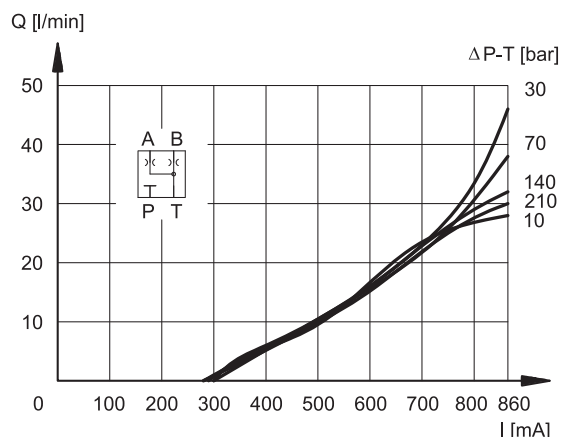
SPOOL TYPE A16



SPOOL TYPE C26



SPOOL TYPE A26



4 - HYDRAULIC FLUIDS

Use mineral oil-based hydraulic fluids like HL or HM type, according to ISO 6743-4. With this kind of fluids, use NBR seals type (code N). For HFDR fluids type (phosphate esters) use FPM seals (code V). For use with other kind of fluids such as HFA, HFB, HFC please consult our technical department.

Operation with fluid temperature exceeding 80°C causes premature deterioration of the quality of the fluid and seals. The physical and chemical properties of the fluid must be maintained.

5 - ELECTRICAL CHARACTERISTICS

Proportional solenoid

The proportional solenoid comprises two parts: tube and coil.

The tube, screwed to the valve body, contains the armature which is designed to maintain friction to a minimum thereby reducing hysteresis.

The coil is mounted on the tube secured by means of a lock nut.

It can be rotated through 360° depending on installation clearances.

Protection from atmospheric agents CEI EN 60529

Plug-in type	IP 65	IP 69 K
K1 DIN 43650	x (*)	
K7 DEUTSCH DT04 male	x	x (*)

(*) The protection degree is guaranteed only with the connector correctly connected and installed

NOMINAL VOLTAGE	V DC	12	24
RESISTANCE (at 20°C)	Ω	4,4	18,6
MAXIMUM CURRENT	A	1,88	0,86
DUTY CYCLE	100%		
ELECTROMAGNETIC COMPATIBILITY (EMC)	according to 2004/108/EC		
CLASS OF PROTECTION: coil insulation (VDE 0580) impregnation	class H class F		

6 - STEP RESPONSE

(measured with mineral oil with viscosity of 36 cSt at 50°C with the relative electronic control units)

Step response is the time taken for the valve to reach 90% of the settled positioning value, following a step change of reference signal.

The table shows typical response times tested with spool type C16 and $\Delta p = 30$ bar P-T.

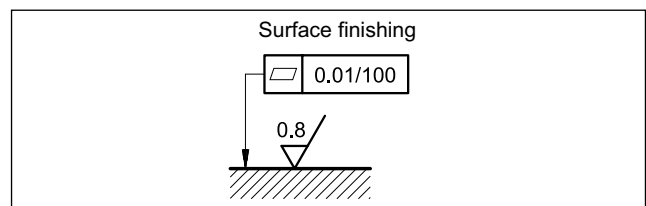
REFERENCE SIGNAL STEP	0 → 100%	100 → 0%
Step response [ms]		
DSE3B-A* DSE3B-C*	50	40

7 - INSTALLATION

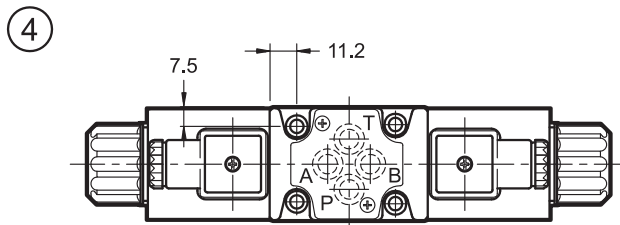
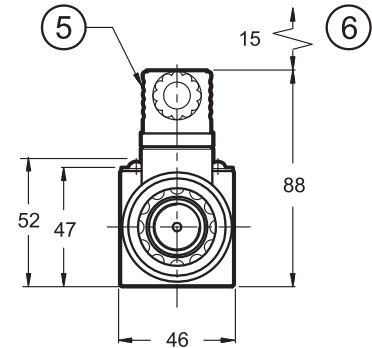
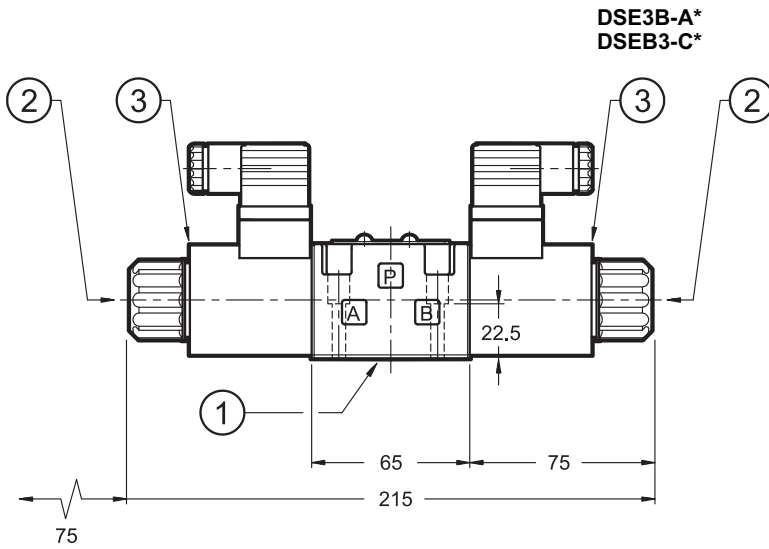
DSE3B valves can be installed in any position without impairing correct operation.

Ensure that there is no air in the hydraulic circuit.

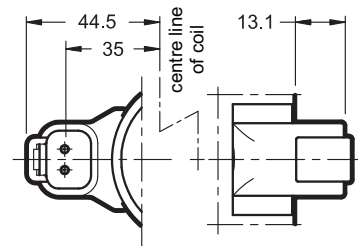
Valves are fixed by means of screws or tie rods on a flat surface with planarity and roughness equal to or better than those indicated in the relative symbols. If minimum values are not observed fluid can easily leak between the valve and support surface.



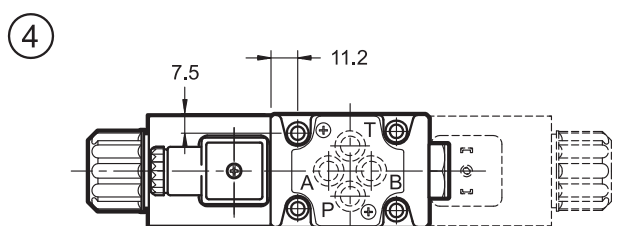
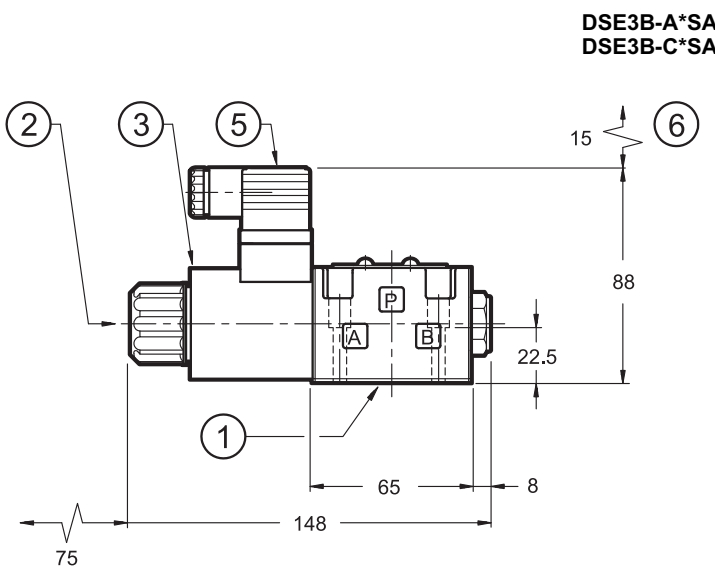
9 - OVERALL AND MOUNTING DIMENSIONS



plug code **K7**: DEUTSCH DT04-2P for male connector DEUTSCH DT06-2S



dimensions in mm



A*SB and C*SB versions solenoid position

1	Mounting surface with sealing rings: 4 OR type 2037 (9.25 x 1.78) 90 shore
2	Standard manual override integrated in the solenoid tube (included in the supply) see par. 9
3	Coil (360° revolving)
4	Coil removal space
5	DIN 43650 electric coil connector
6	Connector removal space

Fastening bolts: 4 SHCS M5x30
Torque: 5 Nm

Locking ring tightening torque:
5 ± 0.5 Nm

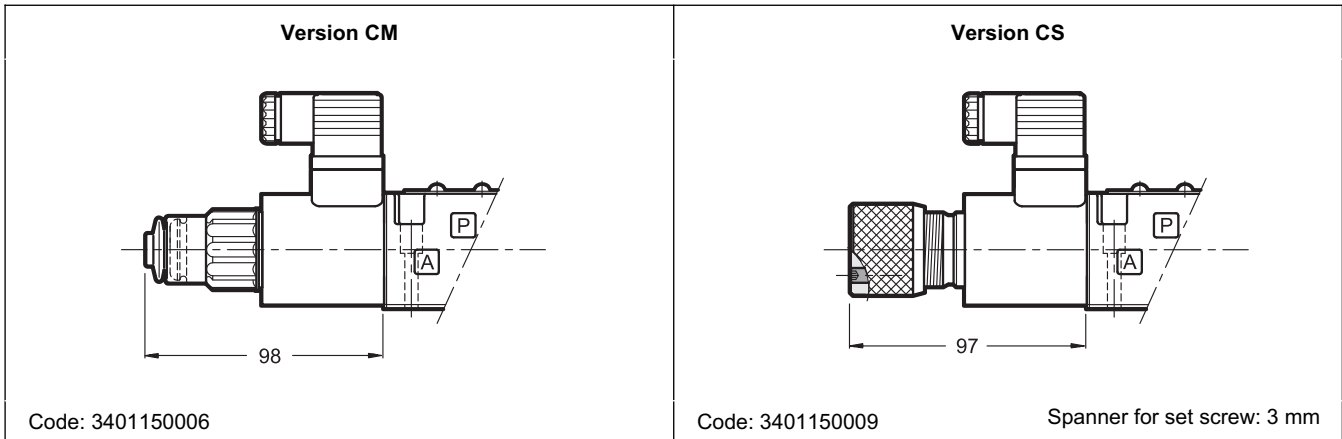


9 - MANUAL OVERRIDE

The standard valve has solenoids whose pin for the manual operation is integrated in the tube. The operation of this control must be executed with a suitable tool, minding not to damage the sliding surface.

Two different manual override version are available upon request:

- **CM** version, manual override belt protected.
- **CK** version, knob. When the set screw is screwed and its point is aligned with the edge of the knob, tighten the knob till it touches the spool: in this position the override is not engaged and the valve is de-energized. After adjusting the override, tighten the set screw in order to avoid the knob losing.



10 - ELECTRONIC CONTROL UNITS

DSE3B - ** SA (SB)

EDC-112	for solenoid 24V DC	plug version	see cat.89 120
EDC-142	for solenoid 12V DC		
EDM-M112	for solenoid 24V DC	DIN EN 50022 rail mounting	see cat. 89 250
EDM-M142	for solenoid 12V DC		

DSE3B - A* DSE3B - C*

EDM-M212	24V DC solenoids	rail mounting DIN EN 50022	see cat. 89 250
EDM-M242	12V DC solenoids		

11 - SUBPLATES (see catalogue 51 000)

Type PMMD-AI3G ports on rear (3/8" BSP threaded)
Type PMMD-AL3G side ports (3/8" BSP threaded)

DUPLOMATIC OLEODINAMICA

DUPLOMATIC OLEODINAMICA S.p.A.
 20015 PARABIAGO (MI) • Via M. Re Depaolini 24
 Tel. +39 0331.895.111
 Fax +39 0331.895.339
 www.diplomatic.com • e-mail: sales.exp@diplomatic.com