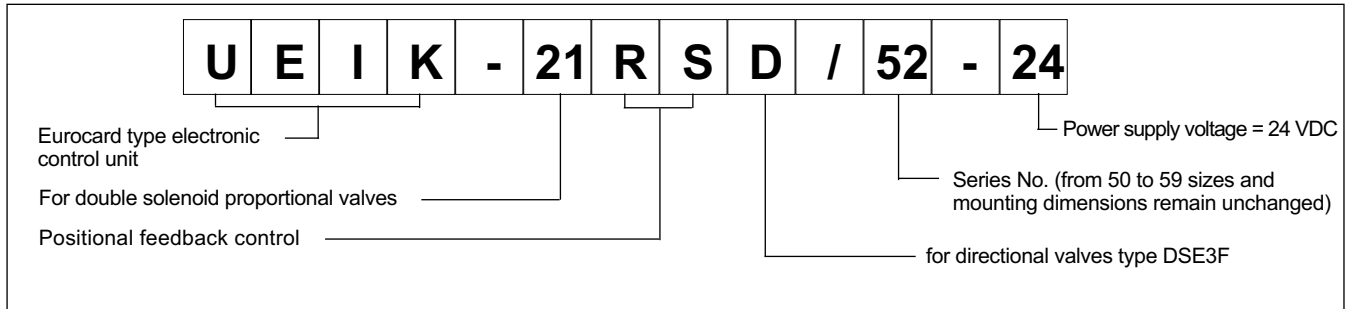




UEIK-21RSD

SERIES 52

1 - IDENTIFICATION CODE



The UEIK-21RS card is an electronic control unit Eurocard type for closed loop control of double solenoid proportional valves with positional feedback control.

The unit controls the position of the valve spool according to the reference input signal ensuring linear regulation with minimum hysteresis.

The front panel is fitted with LEDs to indicate card functions and potentiometers to optimise performance.

2 - FUNCTIONAL SPECIFICATIONS

2.1 - Electric power supply

The card requires a power supply of 22 - 30 V DC and 45 W (pin 2a/2c - 4a/4c).

Power supply voltage must be rectified and filtered, with maximum admissible ripple within the above voltage range.

2.2 - Electrical protection

The card is protected against overvoltage and polarity inversion. A 3,15A fast-acting fuse is fitted for power circuit protection.

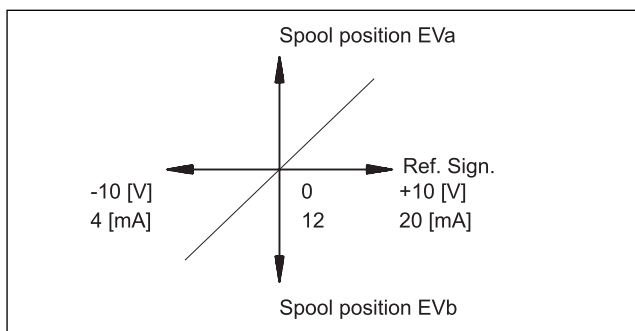
2.3 - Reference signal

The card accepts voltage reference signals ($\pm 10V$) or current reference signals (4-20 mA).

N.B: If the signal is transmitted by potentiometer, please verify that this has a load of at least 200 Ω .

See par. 9 for electrical connections.

The diagram shows valve spool position characteristics according to the reference signal.



3 - SIGNALS AND ADJUSTMENT

3.1 - FAULT (Fault signal)

The red LED indicates operation of the positional transducer:

OFF - normal operation

ON - transducer fault or power supply failure. In the event of a FAULT, current to the solenoid is shut off and the valve is set at the hydraulic rest configuration, the ENABLE LED switches off and the OK card relay contact opens (6a and 6c pins).

3.2 - POWER ON

The yellow LED indicates card power supply:

ON - normal power supply

OFF - no power supply, faulty power supply or blown fuse

3.3 - ENABLE

A 22 to 30 V DC on pin 24c enable command is required for card operation.

The condition of the enable card is shown by both a visible LED on the front panel and as a contact available for the user on pins 6a and 6c.

The green LED indicates:

ON - card enabled

OFF - card disabled or failed

3.4 - GAIN A / GAIN B

(Scale factor regulation of solenoids A and B)

"GAIN A" and "GAIN B" potentiometers enable regulation of the ratio between the set reference value and the valve spool position in the two hydraulic configurations controlled by solenoids A and B.

The maximum current of the card is limited to 1,8A.

See par. 6 for default values.

Rotate clockwise to increase current.

3.5 - OFFSET A / OFFSET B

(Offset current regulation of solenoids A and B)

"OFFSET A" and "OFFSET B" potentiometers enable regulation of the offset current of the solenoids A and B respectively with reference signal set at zero. They are used to eliminate the valve insensitivity zone (dead zone).

The regulation range is from 0 to 0,9A.

The offset current is activated when the reference signal exceeds the threshold of ± 150 mV.

The offset is not active and only the polarization current equal to 25 mA is present beneath this threshold.

NOTE: The variation of the set value of the offset current causes a corresponding variation of the scale factor value.

Rotate clockwise to increase current.



3.6 - RAMP UP / RAMP DOWN (Ramp regulation)

"RAMP UP" and "RAMP DOWN" potentiometers, in a range from 0,03 to 7 sec., regulate the time taken to achieve the current for a step change of the reference signal up or down. They are independently adjusted and serve both solenoids.

This makes it possible to smooth valve response and adapt it to the requirements of the hydraulic system and the machine cycle.

Rotate clockwise to increase ramp time.

Ramps can be inhibited by transmitting a 22 to 30 V DC command to pin 16a. In this case, the ramp residual time is 10 ms.

4 - SIGNAL MEASUREMENT

4.1 - CURRENT A / CURRENT B

(Current measurement points of solenoids A and B)

Measurement points for voltage readings of current supplied to solenoids A and B. Reading conversion is 1V DC = 1A.

4.2 - REFERENCE (Reference signal measurement point)

Enables reading in voltage of reference signal sent to the card. Reading is direct, but of opposite sign, with voltage reference while current conversion is: 4 mA = +10V 20 mA = -10V.

4.3 - TRANSDUCER (Transducer signal measurement point)

Enables voltage reading of the valve spool position ($\pm 4,8V$ - tolerance +200 mV).

5 - INSTALLATION

The card is suitable for assembly on a rack or a card holder with interface for connector types DIN 41612 - size D - 32 pole. It is recommended to use cable sections of 1 to 2,5 mm², in function with their length, for power supply and solenoid connections. For other connections, it is recommended to use cables with a screened sheath connected to earth only on the card side.

NOTE 1: To observe EMC requirements it is important that the control unit electrical connection is in strict compliance with the connection scheme of par. 9.

As a general rule, the valve and the electronic unit connection wires must be kept as far as possible from interference sources (e.g. power wires, electric motors, inverters and electrical switches). In environments that are critical from the electromagnetic interference point of view, a complete protection of the connection wires can be requested.

6 - DEFAULT CONDITIONS

The electronic control unit is supplied factory-set. Standard settings are:

- "GAIN A" regulation: +10V (or 20 mA) reference signal corresponding to maximum valve opening in the hydraulic configuration controlled by solenoid A (transducer = -5V) .
- "GAIN B" regulation: -10V (or 4 mA) reference signal corresponding to maximum valve opening in the hydraulic configuration controlled by solenoid B (transducer = +5V).
In open loop "GAIN A" and "GAIN B" regulations correspond to a current supply of 1,8 A to the solenoids A and B with maximum reference signal.
- "OFFSET A" or "OFFSET B" regulation: zero
- "RAMP UP" and "RAMP DOWN" regulation: minimum
- position SW1 on V
- position SW2 on S
- position SW3 on AC
- position S1 on N
- switching frequency (PWM) = 300 Hz

7 - START-UP AND CONTROL SETTINGS

a) OFFSET CURRENT REGULATION

(Note: the same procedure applies to channels A and B on the card)

- Set "GAIN A" and "GAIN B" potentiometers to minimum.
- Enter reference signal at maximum value:
 - +10V (or 20 mA) for solenoid A
 - 10V (or 4 mA) for solenoid B.
- Regulate "OFFSET A" and "OFFSET B" potentiometers so that the valve is positioned at the start of the corresponding hydraulic configuration work zone.

b) SCALE FACTOR REGULATION

(Note: the same procedure applies to channels A and B on the card)

- Enter the reference signal at maximum value
 - +10V (or 20 mA) for solenoid A
 - 10V (or 4 mA) for solenoid B.
- Set "GAIN A" and "GAIN B" potentiometers so that the controlled parameter in the relative hydraulic configuration reaches the maximum required value.

c) RAMP REGULATION

- Regulate the "RAMP UP" and "RAMP DOWN" potentiometers to obtain the required valve smoothness of movement with a reference position.

8 - CARD CIRCUIT SETTINGS

The overall dimension diagram in par. 10 shows four switch banks: SW 1 - SW 2 - SW 3 and S1 which enable card set up as required.

NB. Each modification to switch settings must be carried out with the card disconnected from the power supply. The individual switches inside each bank must all be set in the same direction.

SELECTION OF VOLTAGE OR CURRENT REFERENCE SIGNAL (SW 1 bank comprising three individual switches)

- select V for voltage signal
- select I for current signal.

SELECTION OF SINGLE ENDED OR DIFFERENTIAL REFERENCE SIGNAL (SW 2 bank comprising one individual switch)

- select S for single ended reference signal. This condition is obligatory in the case that the reference signal is generated with an external potentiometer fed by the card itself.
- select D for differential reference signal. This signal is preferable in the case that the reference signal comes from a PLC or CNC analogic outlet.

OPEN OR CLOSED LOOP SELECTION

(SW 3 bank comprising two individual switches)

- select AC for closed loop
- select AA for open loop.

TRANSDUCER POLARITY SELECTION

(SW 1 bank comprising one individual switch)

- select N for direct operated valve types DSE3F
- select D for piloted valves.

NB. In the event of transducer malfunction, AA can be selected to proceed with open loop operation. In this case, the ENABLE LED illuminates and the OK relay card contacts close and the FAULT LED remains lit to indicate alarm status.

SWITCHING FREQUENCY ADJUSTMENT

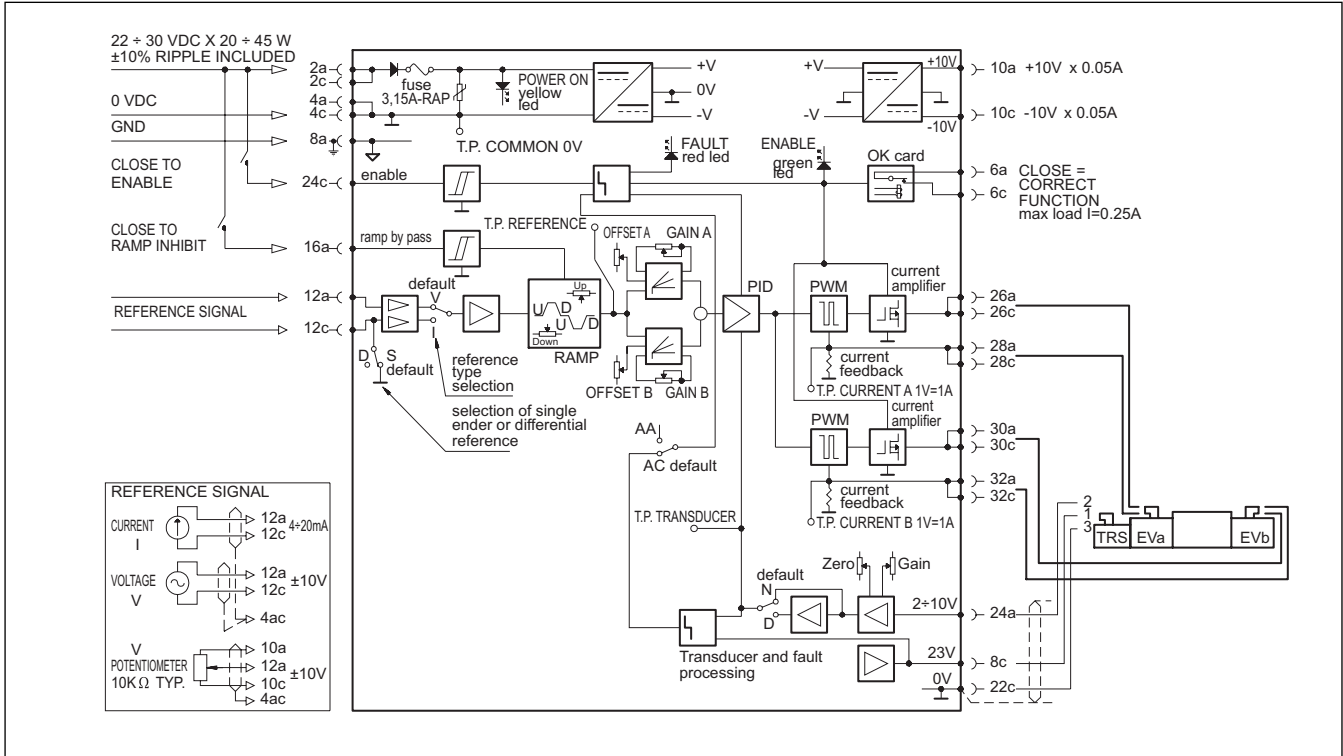
It is possible to change the switching frequency (PWM) by acting on the trimmer PT7 (see par. 10). The setting range is from 80 to 1600 Hz. An appropriate switching frequency adjustment allows reduction of the valve hysteresis value. Clockwise rotation to increase the frequency.



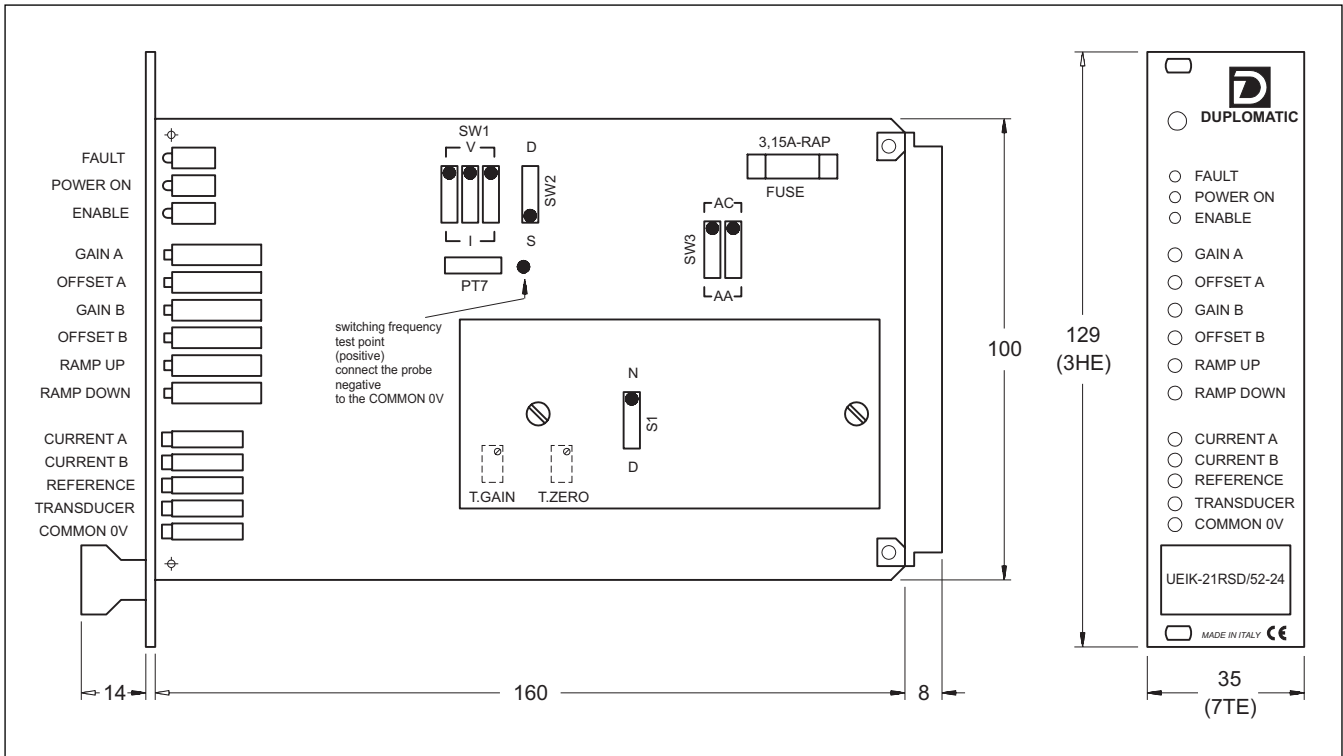
UEIK-21RSD

SERIES 52

9 - CARD CIRCUIT AND WIRING DIAGRAMS



10 - OVERALL AND MOUNTING DIMENSIONS



DIPLOMATIC OLEODINAMICA SpA
 20025 LEGNANO (MI) - P.le Bozzi, 1 / Via Edison
 Tel. 0331/472236 - Fax 0331/548328