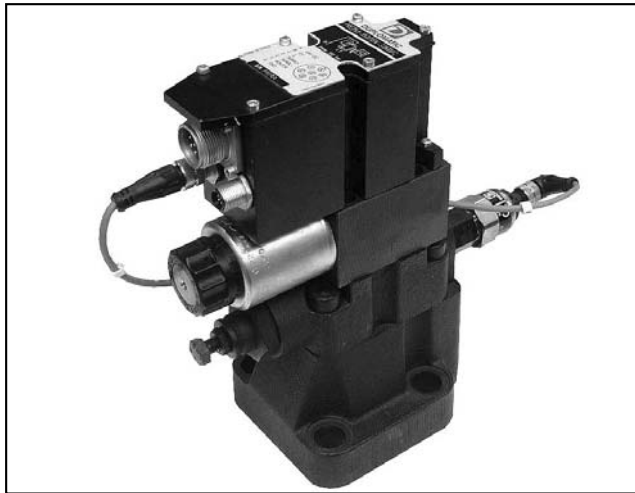




**DIPLOMATIC  
HYDRAULICS**

81 330/107 ED



# PRE\*J

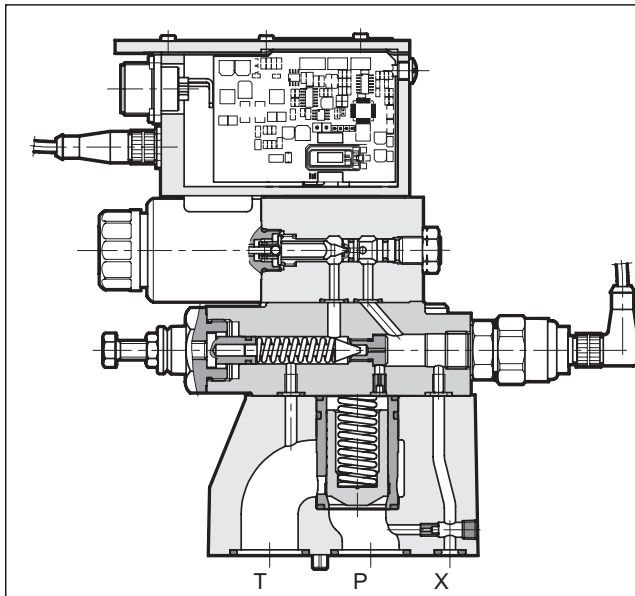
## PILOT OPERATED PRESSURE VALVES IN CLOSED LOOP WITH PROPORTIONAL CONTROL AND INTEGRATED ELECTRONICS SERIES 11

### SUBPLATE MOUNTING

**p** max 350 bar

**Q** max (see table of performances)

### OPERATING PRINCIPLE

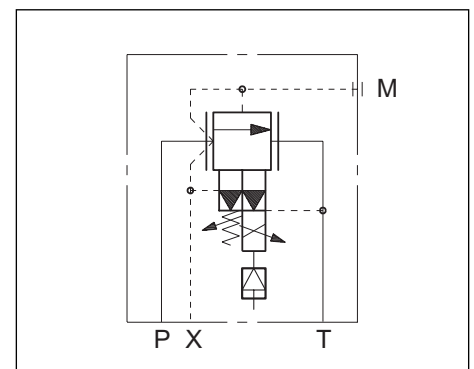


- PRE\*J valves are pilot operated pressure relief valves with integrated electric proportional control and mounting interface in compliance with ISO 6264 standards (CETOP RP 121H).
- These valves are normally used to control hydraulic circuit pressure and enable the use of the full flow rate of the pump, even with settings approaching calibrated values.
- The two-stage design and wide passages ensure reduced pressure drops thereby improving the system energy performance.
- Pressure can be modulated continuously in proportion to the reference signal
- The valve is controlled directly by an integrated digital amplifier (see par. 4).
- They are fitted with a manual pressure relief valve which is factory set to  $\geq 15\%$  of the maximum value in the pressure control range.

- They are available in three sizes for flow rates up to 500 l/min and in three pressure control ranges up to 350 bar.

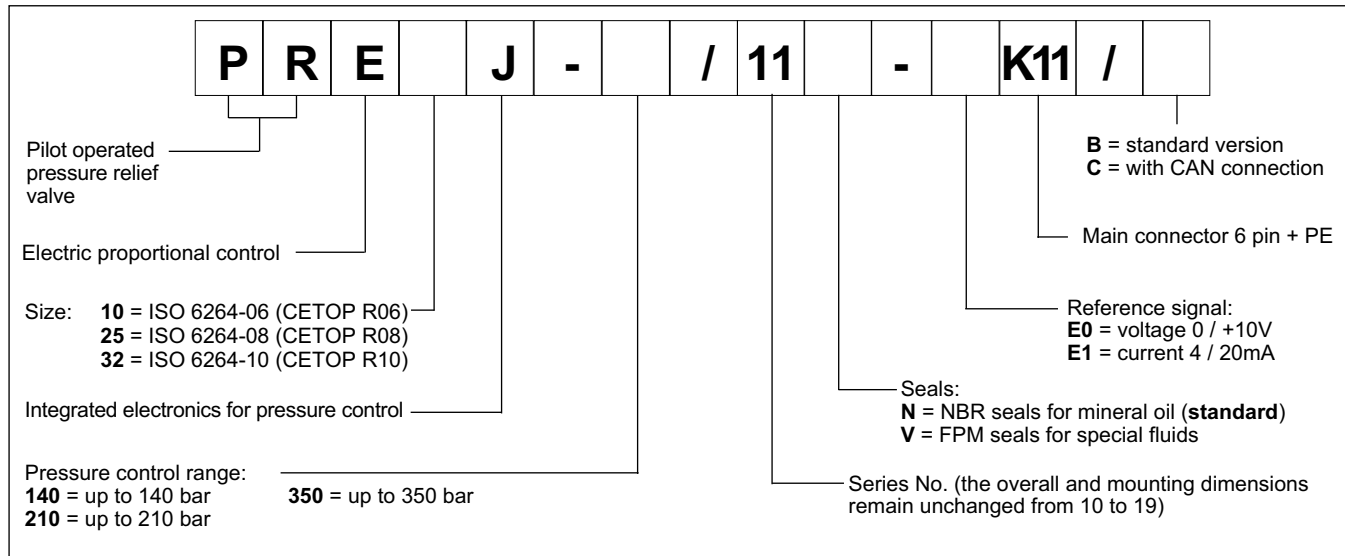
<b>PERFORMANCES</b> (obtained with mineral oil with viscosity of 36 cSt at 50°C and digital integrated electronics)		PRE10J	PRE25J	PRE32J
Maximum operating pressure:	bar	350		
Minimum controlled pressure		see $\Delta p$ -Q diagram		
Maximum flow	l/min	200	400	500
Step response		see paragraph 3		
Hysteresis	% of p nom	< 1%		
Repeatability	% of p nom	< $\pm 0,5\%$		
Electrical characteristic		see paragraph 4		
Ambient temperature range	°C	-10 / +50		
Fluid temperature range	°C	-20 / +80		
Fluid viscosity range	cSt	10 ÷ 400		
Fluid contamination degree		According to ISO 4406:1999 class 18/16/13		
Recommended viscosity	cSt	25		
Mass:	kg	5,5	6,3	8,5

### HYDRAULIC SYMBOL



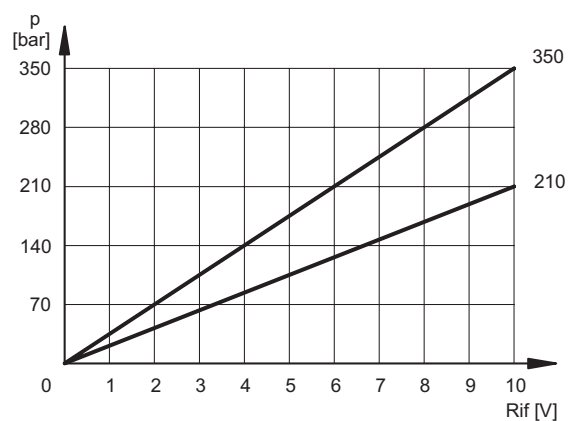
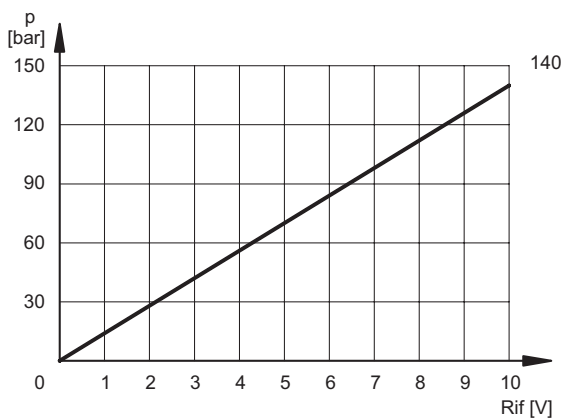


## 1 - IDENTIFICATION CODE

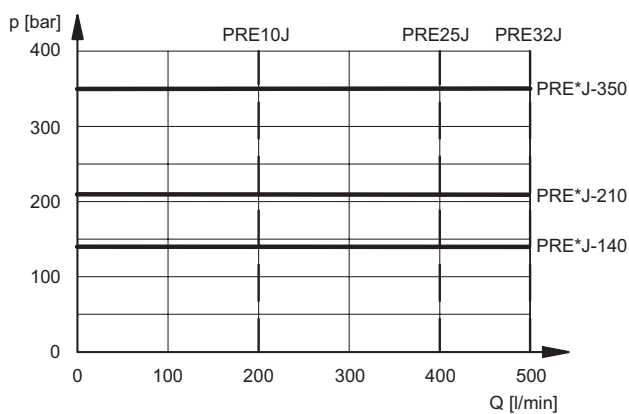


## 2 - CHARACTERISTIC CURVES (measured with viscosity of 36 cSt at 50°C)

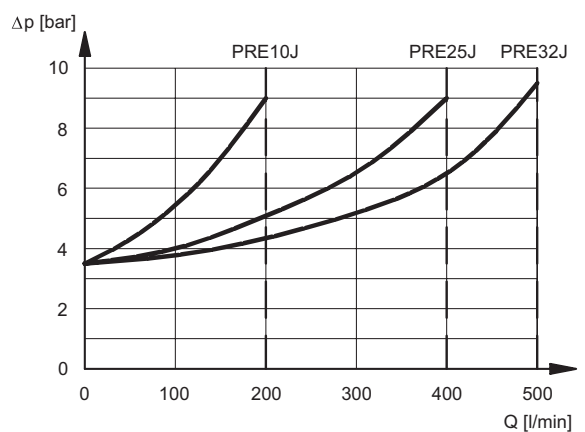
### PRESSURE CONTROL $p=f(I)$



### PRESSURE CONTROL $p=f(Q)$

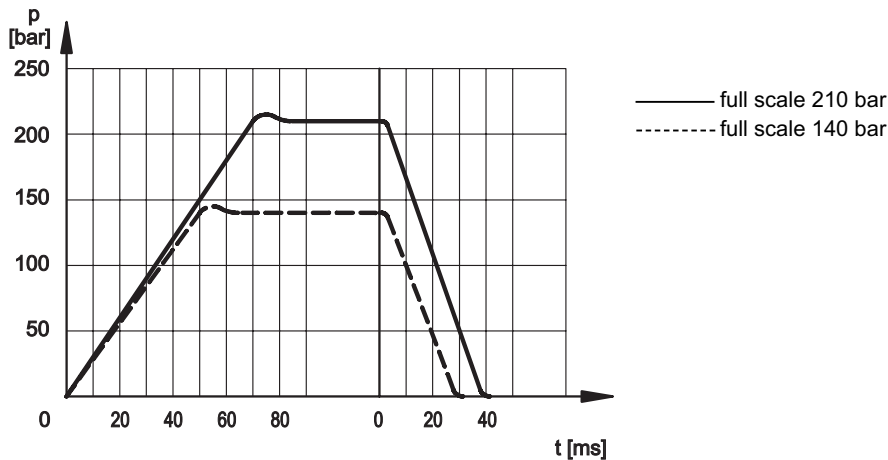


### PRESSURE DROPS $\Delta p = f(Q)$





### 3 - STEP RESPONSE (obtained with mineral oil with viscosity of 36 cSt at 50°C and with digital integrated electronics)



**NOTE:** Response times are obtained by using PRE25J valves with a full scale of 140 and 210 bar.

## 4 - ELECTRICAL CHARACTERISTICS

### 4.1 - Digital integrated electronics

The proportional valve is controlled by a digital amplifier (driver), which incorporates a microprocessor that controls, via software, all the valve functions, such as:

- continuous converting (0,5ms) of the voltage reference signal (E0) or of the current reference signal (E1) in a digital value
- generation of up and down ramps (see **NOTE**)
- gains limit (see **NOTE**)
- compensation of the dead band
- linearization of the characteristic curve
- regulation of the current to the solenoid
- dynamic regulation of PWM frequency
- protection of the solenoid outputs against possible short circuits

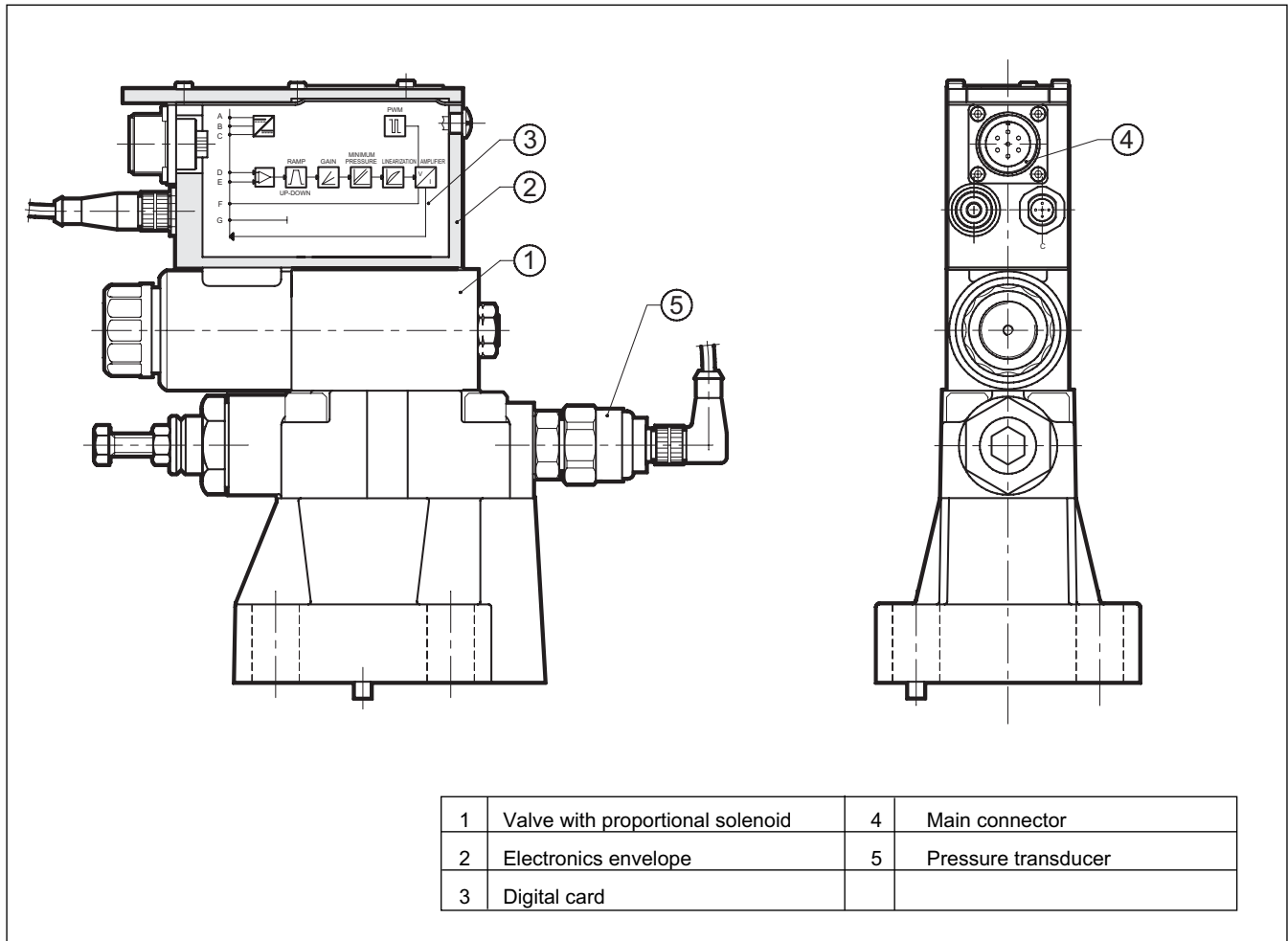
**NOTE:** these parameters can be set through the connection to the CAN connector, by means of a personal computer and relevant software (see par. 5.3)

The digital driver enables the valve to reach better performance compared to the analogic version, such as:

- reduced hysteresis and improved repeatability
- reduced response times
- linearization of the characteristic curve which is optimised in factory for each valve
- complete interchangeability in case of valve replacement
- possibility to set, via software, the functional parameters
- possibility to interface a CAN-Open network
- possibility to perform a diagnostic program by means of the CAN connection
- high immunity to electromagnetic troubles



**4.2 - Functional block diagram**



1	Valve with proportional solenoid	4	Main connector
2	Electronics envelope	5	Pressure transducer
3	Digital card		

**4.3 - Electrical characteristics**

<b>NOMINAL VOLTAGE</b>	V DC	24V DC (from 19 to 35V DC, ripple max 3 Vpp)
<b>ABSORBED POWER</b>	W	50
<b>MAXIMUM CURRENT</b>	A	1,88
<b>DUTY CYCLE</b>		100%
<b>VOLTAGE SIGNAL (E0)</b>	V DC	0 ÷ 10 (Impedence Ri > 50 KΩ)
<b>CURRENT SIGNAL (E1)</b>	mA	4 ÷ 20 (Impedence Ri = 500Ω)
<b>ALARMS</b>		Overload and electronics overheating
<b>COMMUNICATION</b>		Interface of the optoisolated industrial Field-bus type CAN-Bus ISO 11898
<b>MAIN CONNECTOR</b>		7 - pin MIL-C-5015-G (DIN 43563)
<b>CAN-BUS CONNECTOR</b>		M12-IEC 60947-5-2
<b>ELECTROMAGNETIC COMPATIBILITY (EMC)</b>		
<b>EMISSIONS</b> EN 50081-1		according to 89/336 CEE standards
<b>IMMUNITY</b> EN 50082-2		
<b>PROTECTION AGAINST ATMOSPHERIC AGENTS</b>		IP67 (CEI EN 60529 standards)

### 5 - OPERATING MODALITIES

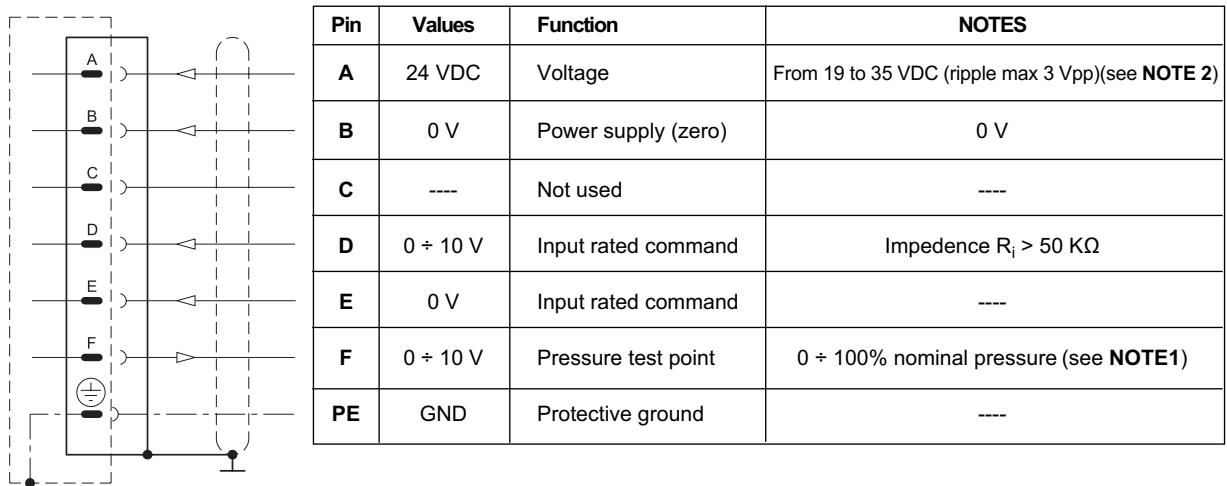
The digital driver of PRE\*J valve may be used with different functions and operating modalities, depending on the requested performances.

#### 5.1 - Standard version with voltage reference signal (E0)

This is the most common version; it makes the valve completely interchangeable with the traditional proportional valves with analog type integrated electronics. The valve has only to be connected as indicated below.

This version doesn't allow the setting of the valve parameters, for example the ramps must be performed in the PLC program, as well as the reference signal limit.

#### Standard connection scheme with voltage reference signal (E0)

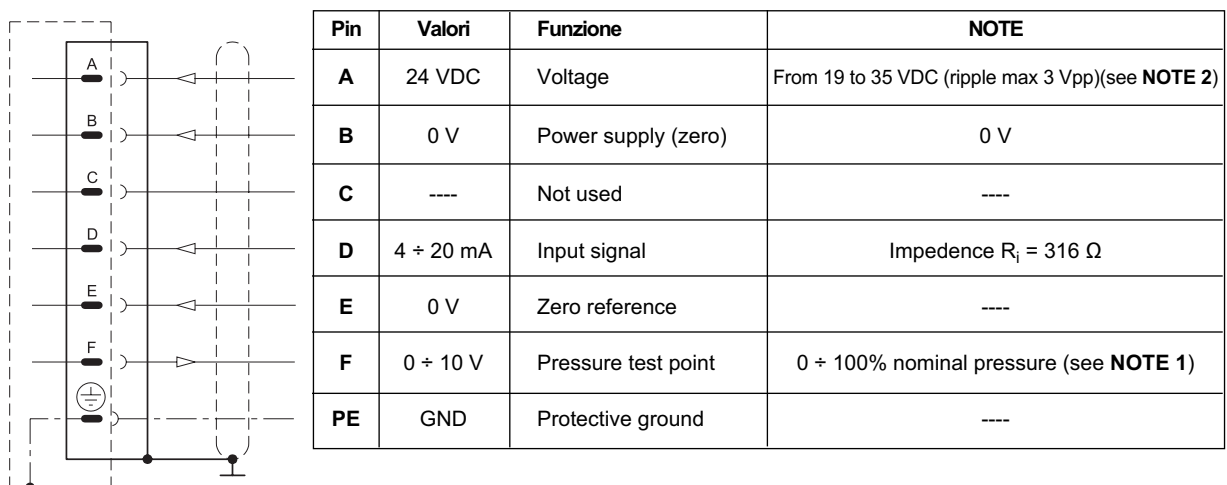


**NOTE:** If only one input signal is present, the pin B (0V power supply) and the pin E (0V reference signal) must be connected through a jumper and both connected to GND, electric panel side.

#### 5.2 - Standard version with current reference signal (E1)

This version has characteristics which are similar to the previous one, with the difference that in this case the reference signal is supplied in current 4 - 20 mA. With the 4 mA signal the valve is at zero value, while with 20 mA signal the valve is at the maximum setting value.

#### Standard connection scheme with current reference signal (E1)



**NOTE for the wiring:** connections must be made via the 7-pin plug mounted on the amplifier. Recommended cable sizes are 0,75 mm<sup>2</sup> for cables up to 20m and 1,00 mm<sup>2</sup> for cables up to 40m, for power supply. The signal cables must be 0,50 mm<sup>2</sup>. A suitable cable would have 7 cores, a separate screen for the signal wires and an overall screen.

**NOTE 1:** read the test point pin F in relation to pin B (0V)

**NOTE 2:** Envisage an external fuse on pin A (24V DC) to shield the card. Fuse specifications: 5A/50V fast type.



### 5.3 - Version with parameters set by means of CAN connector (version C)

This version allow to set some parameters of the valve connecting a PC to the CAN connector.

To do this, you have to order the interface device for USB port **CANPC-USB/10** (code 3898101001), complete of the configuration software, a communication cable (length 3 mt) and a hardware converter needed to connect the valve to the USB port.

The parameters that can be set are described below:

#### Nominal pressure

The "nominal pressure" parameter sets the desired nominal pressure in bar, which the maximum reference value should be corresponding to (10 V or 20 mA).

Default value = 100% of full scale

Range: from 100% to 50% of full scale

#### PWM Frequency

Sets the PWM frequency, which is the pulsating frequency of the control current. The PWM decrease improves the valve accuracy, decreasing the regulation stability.

The PWM increase improves the regulation stability, causing a higher hysteresis.

Default value = 300 Hz

Range 50 ÷ 500 Hz

#### Ramps

Increase time of Ramp R1: Sets the current increase time for a variation from 0 to 100% of the input reference.

Decrease time of Ramp R2: Sets the current decrease time for a variation from 0 to 100% of the input reference.

Min time = 0,001 sec.

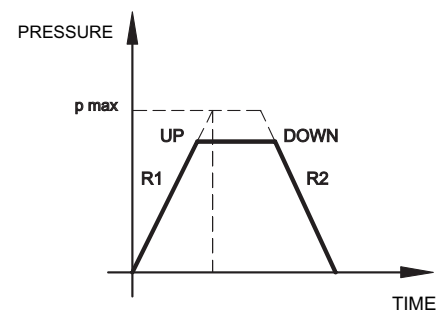
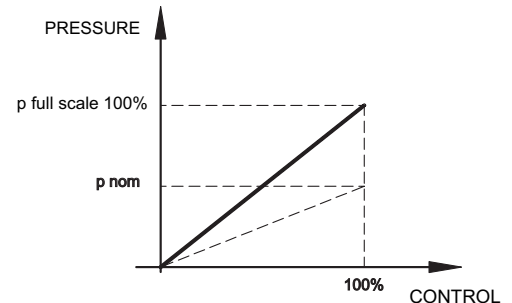
Max time = 40,000 sec.

Default time = 0,001 sec.

#### Diagnostics

Provides several information parameters, such as:

- The electronic driver status (Working or Broken)
- The active regulation
- Input reference
- Current value





#### 5.4 - Version with CAN-Bus interface

This version allows the valve piloting through the industrial field bus CAN-Open, according to ISO 11898 standards.

The CAN connector must be connected (see scheme) as a slave node of the CAN-Open bus, while the main connector is wired only for the power supply (pin A and B + earth)

The most important characteristics of a CAN - Open connection are:

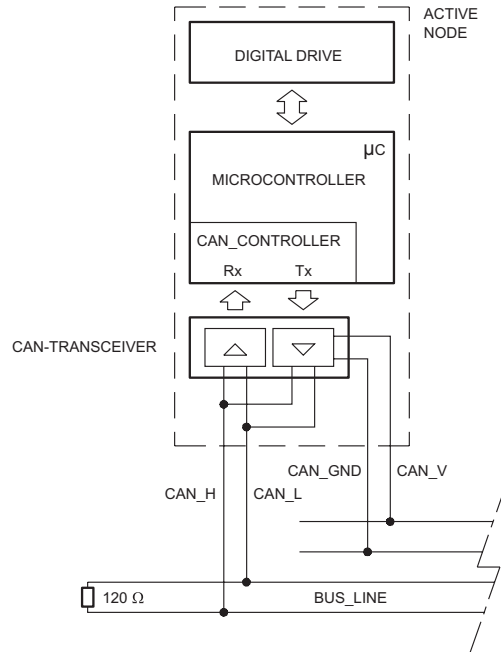
- Parameter storage also in PLC
- Parameters setting in real-time (PDO communication)
- On-line valve diagnostics
- Easy wiring with the serial connection
- Communication program according to international standards

For detailed information on the CAN-Open communication software, see cat. 89 800.

#### CAN connector connection scheme

Pin	Values	Functions
1	CAN_SHLD	Monitor
2	CAN +24VDC	BUS + 24 VDC (max 30 mA)
3	CAN 0 DC	BUS 0 VDC
4	CAN_H	BUS line (high signal)
5	CAN_L	BUS line (low signal)

**N.B.** : insert a 120 Ω resistance on pin 4 and pin 5 of the CAN connector when the valve is the closure knot of the CAN network.



## 6 - INSTALLATION

We recommend to install the PRE\*J valve either in horizontal position, or vertical position with the solenoid downward. If the valve is installed in vertical position and with the solenoid upward, you must consider possible variations of the minimum controlled pressure, if compared to what is indicated in paragraph 2.

Ensure that there is no air in the hydraulic circuit. In particular applications, it can be necessary to vent the air entrapped in the solenoid tube, by using the appropriate drain screw in the solenoid tube. Ensure that the solenoid tube is always filled with oil (see par. 8 - 9 - 10). At the end of the operation, make sure of having correctly replaced the drain screw.

Connect the valve T port directly to the tank. Add any backpressure value detected in the T line to the controlled pressure value. Maximum admissible backpressure in the T line, under operational conditions, is 2 bar.

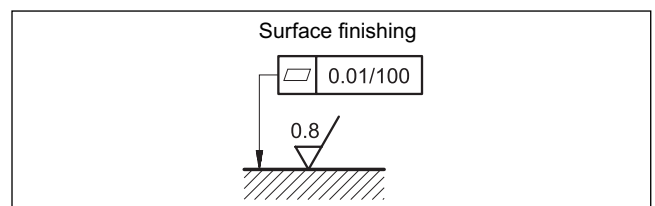
Valves are fixed by means of screws or tie rods on a flat surface with planarity and roughness equal to or better than those indicated in the relative symbols. If minimum values are not observed, fluid can easily leak between the valve and support surface.

## 7 - HYDRAULIC FLUIDS

Use mineral oil-based hydraulic fluids HL or HM type, according to ISO 6743-4.

For these fluids, use NBR seals (code N). For fluids HFDR type (phosphate esters) use FPM seals (code V). For the use of other kinds of fluid such as HFA, HFB, HFC, please consult our technical department. Using fluids at temperatures higher than 80 °C causes a faster degradation of the fluid and of the seals characteristics.

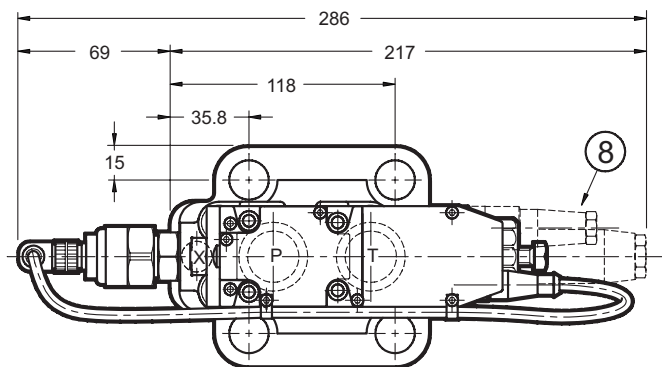
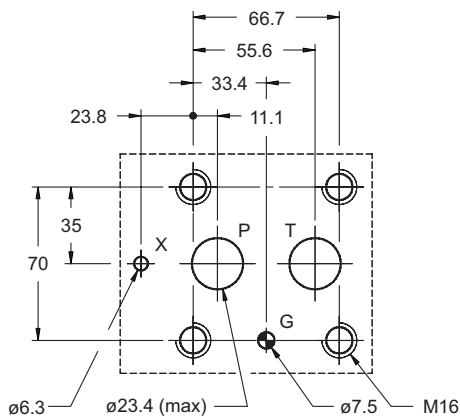
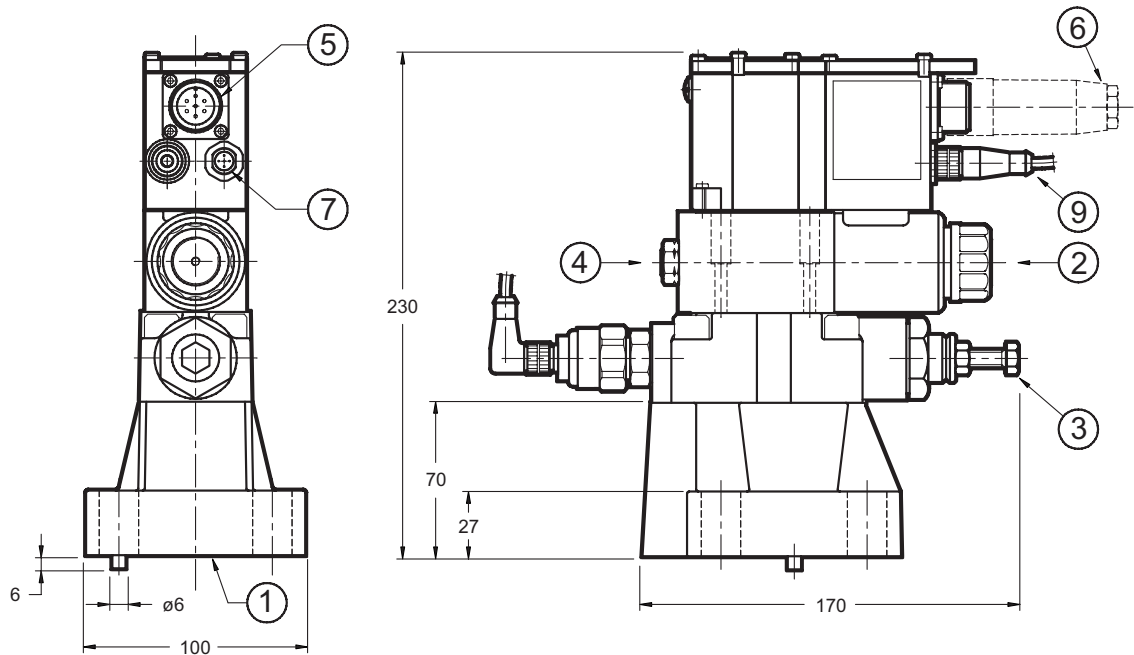
The fluid must be preserved in its physical and chemical characteristics.







**9 - OVERALL AND MOUNTING DIMENSIONS PRE25J**



dimensions in mm

Mounting interface: ISO 6264-08-13-1-97  
(CETOP 4.4.2-2-R08-350)

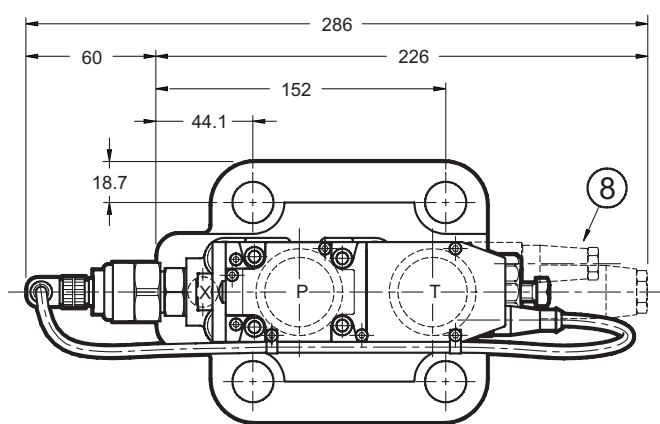
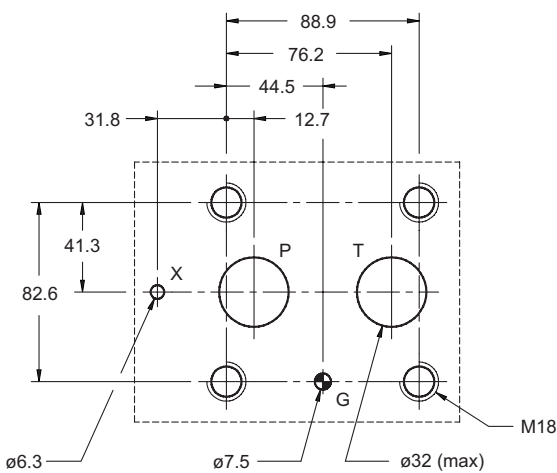
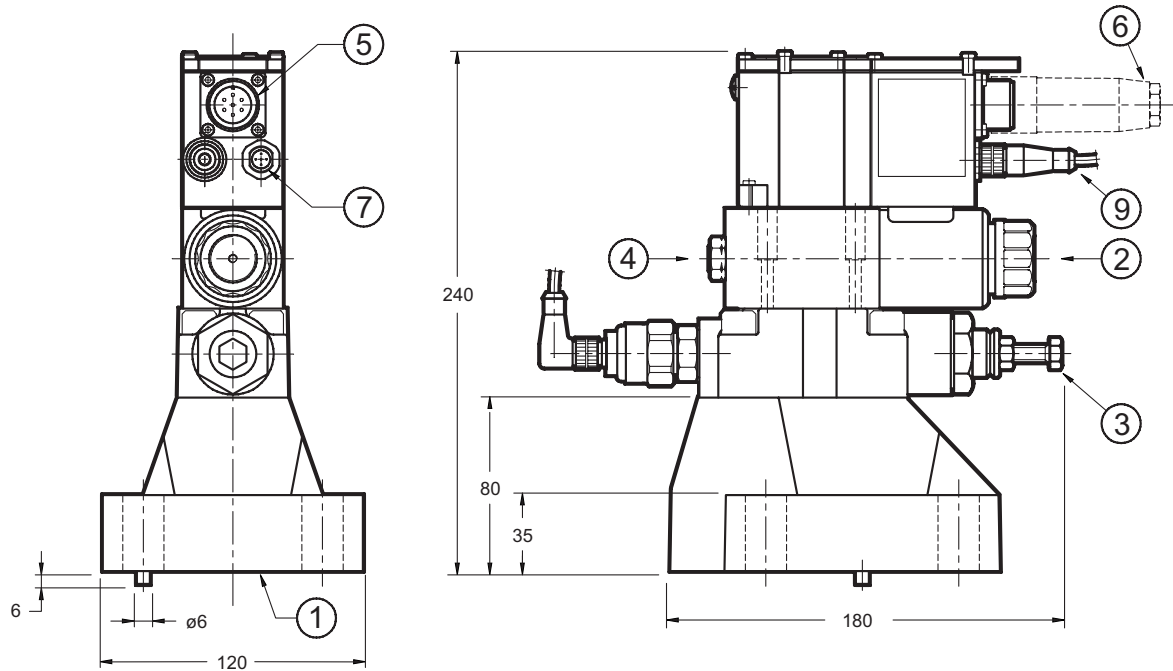
Fastening bolts: N. 4 bolts M16x50  
Torque: 170 Nm

**NOTE:** at the first start up, or after a long period of no use, it is necessary to vent the air through the breather (2) placed at the end of the solenoid tube.

1	Mounting surface with sealing rings: 2 OR type 3118 - 90 shore (29.82 x 2.62) 1 OR type 109 - 90 shore (9.13x 2.62)
2	Breather (male hexagonal spanner 4)
3	Pressure relief valve (factory set)
4	Factory sealing setting (we recommend not unscrewing the nut)
5	Main connection
6	Electrical connector 7 pin DIN 43563 - IP67 PG11 EX7S/L/10 code 3890000003 <b>(to be ordered separately)</b>
7	CAN-Bus connection <b>(only for version C)</b>
8	Electrical connector 5 pin M12 - IP67 PG7 EC5S/M12L/10 code 3491001001 only for version C <b>(to be ordered separately)</b>
9	Cable with connectors for pressure feedback



**10- OVERALL AND MOUNTING DIMENSIONS PRE32J**



dimensions in mm

Mounting interface: ISO 6264-10-17-1-97  
(CETOP 4.4.2-2-R10-350)

Fastening bolts: N. 4 bolts M18x60  
Torque: 235 Nm

**NOTE:** at the first start up, or after a long period of no use, it is necessary to vent the air through the breather (2) placed at the end of the solenoid tube.

1	Mounting surface with sealing rings: 2 OR type 4137 - 90 shore (34.52 x 3.53) 1 OR type 109 - 90 shore (9.13 x 2.62)
2	Breather (male hexagonal spanner 2)
3	Pressure relief valve (factory set)
4	Factory sealing setting (we recommend not unscrewing the nut)
5	Main connection
6	Electrical connector 7 pin DIN 43563 - IP67 PG11 EX7S/L/10 code 3890000003 <b>(to be ordered separately)</b>
7	CAN-Bus connection <b>(only for version C)</b>
8	Electrical connector 5 pin M12 - IP67 PG7 EC5S/M12L/10 code 3491001001 only for version C <b>(to be ordered separately)</b>
9	Cable with connectors for pressure feedback



**11 - SUBPLATES** (see catalogue 51 000)

	<b>PRE10</b>	<b>PRE25</b>	<b>PRE32</b>
Type	PMRQ3-AI4G rear ports	PMRQ5-AI5G rear ports	PMRQ7-AI7G rear ports
<b>PT</b> port dimesions	1/2" BSP	1" BSP	1" ¼ BSP
<b>X</b> port dimensions	1/4" BSP	1/4" BSP	1/4" BSP



**PRE\*J**  
SERIES 11



**DIPLOMATIC**  
**HYDRAULICS**

**DIPLOMATIC OLEODINAMICA SpA**  
20025 LEGNANO (MI) - P.le Bozzi, 1 / Via Edison  
Tel. 0331/472111 - Fax 0331/548328