



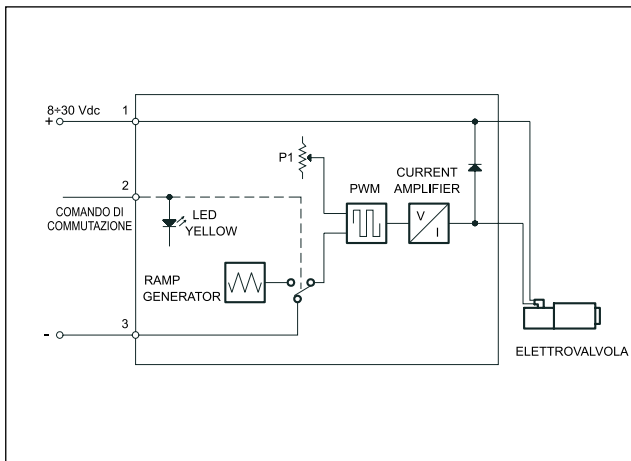
ECL

POWER SAVING DEVICE FOR ON-OFF SOLENOID VALVES

SERIES 10

PLUG VERSION

FUNCTIONAL BLOCK DIAGRAM

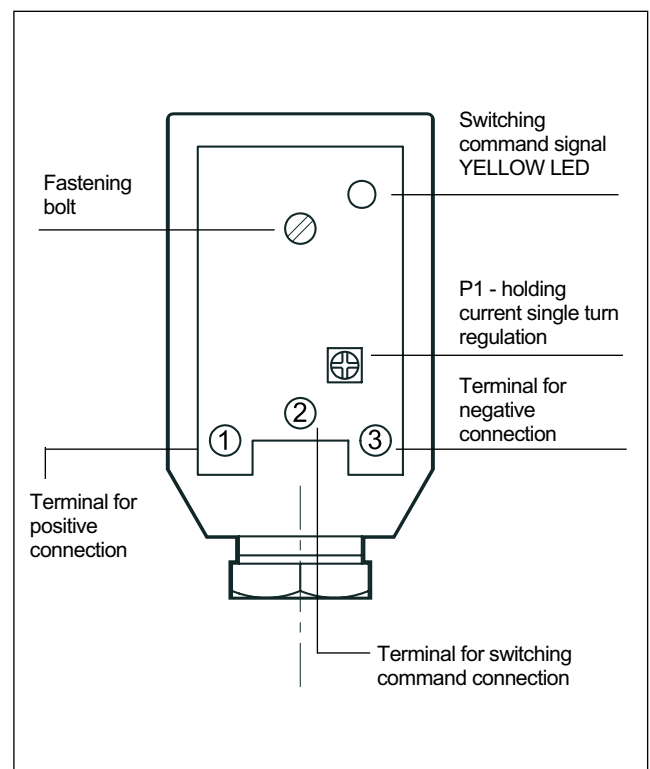


DESCRIPTION

- The ECL device is designed to control an ON-OFF solenoid valve, by means of a low power command which can be piloted directly from the PLC.
- This device operates by feeding the solenoid valve at 100% of the nominal current value for a time sufficient to guarantee the complete valve energizing (170 ms).
The current is therefore automatically reduced down to a level that keeps the valve fully open (holding current). See functioning example at paragraph 3.
- It is designed in the plug version in compliance with DIN43650 standard.
- It is supplied with a M3 mounting screw and with interface seal.

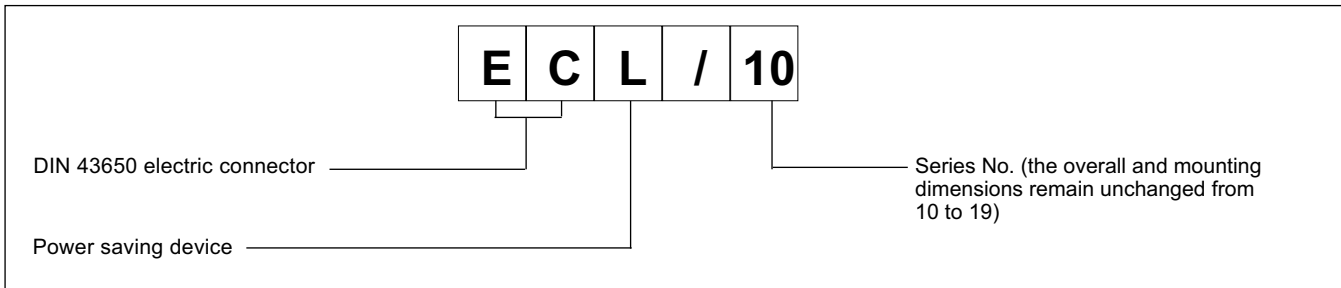
TECHNICAL CHARACTERISTICS

Power supply	VCC	8 ÷ 30 Ripple included
Max current	A	5
Absorbed current with valve not switched	mA	22
Current absorbed by the switching command (at 30 VDC)	mA	6,5 max
Full power feeding time	ms	170
Holding current regulating range	% In	25 ÷ 75 (adjustable)
Holding current default	% In	70
Connector type	DIN 43650	
Number of connections	2 + earth (not connected)	
Protection to atmospheric agents (IEC 144 standards)	IP 67	
Operating temperature range	°C	-20 ÷ +60
Mass	kg	0,20

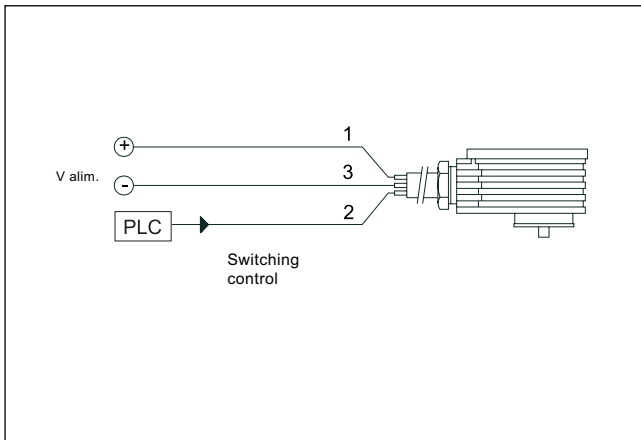




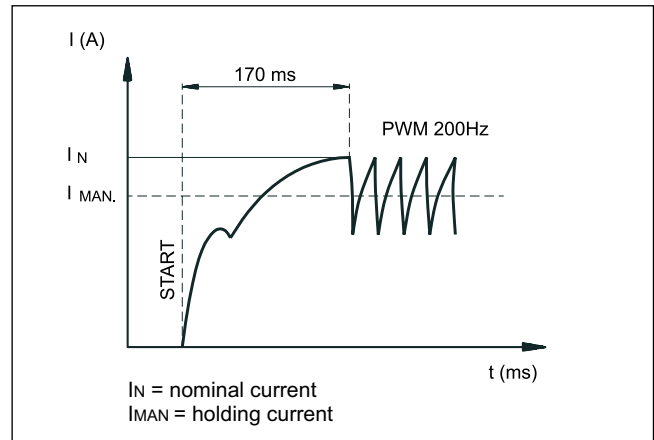
1 - IDENTIFICATION CODE



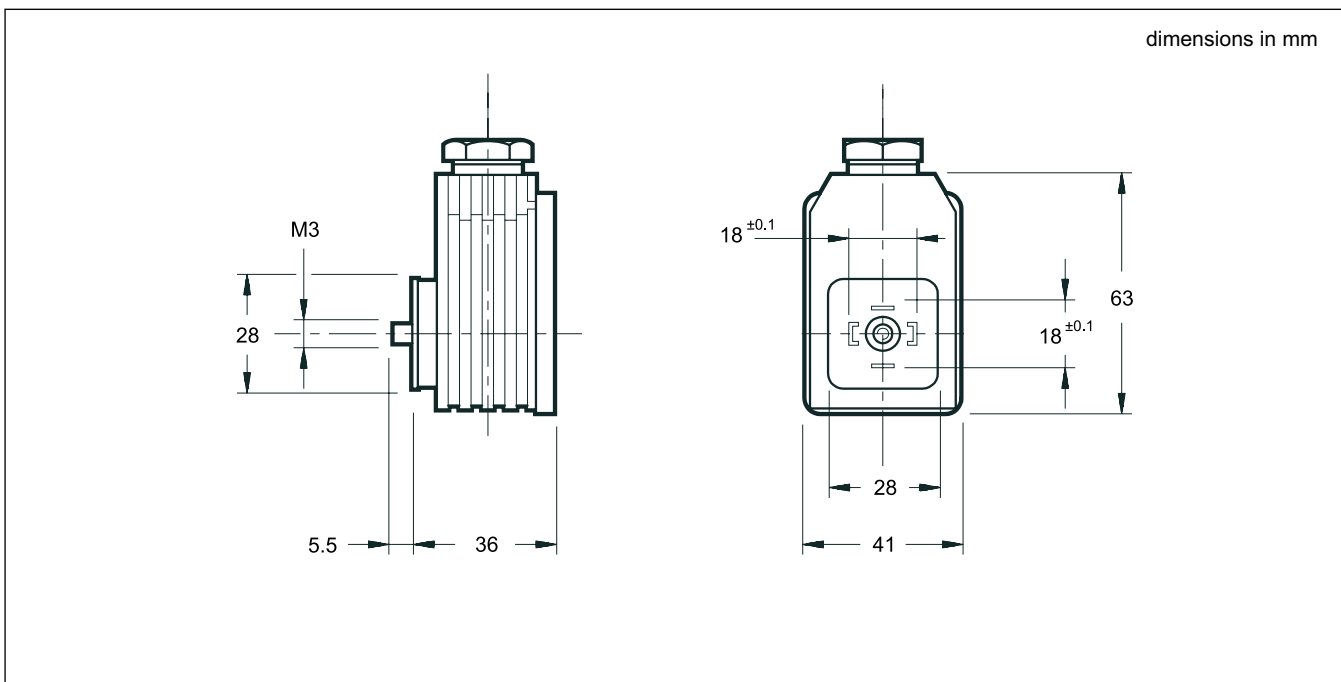
2 - CONNECTION DIAGRAM



3 - ADJUSTMENT CHARACTERISTIC



4 - OVERALL AND MOUNTING DIMENSIONS



DIPLOMATIC OLEODINAMICA SpA
20025 LEGNANO (MI) - P.le Bozzi, 1 / Via Edison
Tel. 0331/472111 - Fax 0331/548328